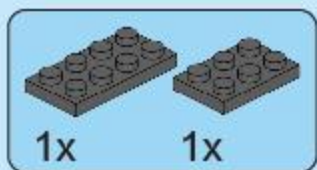


FC1037

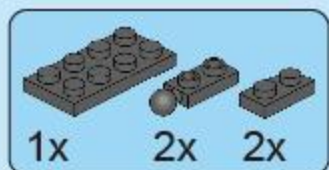
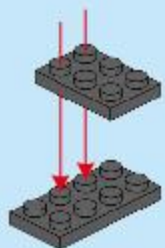


**2 IN 1**  
TRANSFORMS

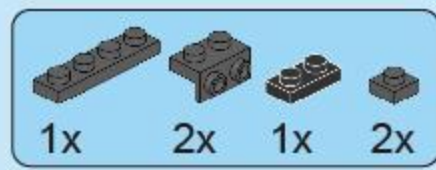
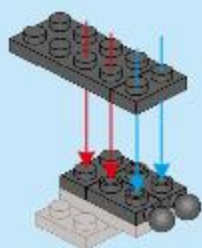
**COLLECT 5 MODELS**  
TO COMBINE RELOADED BERSERK



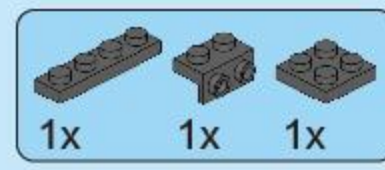
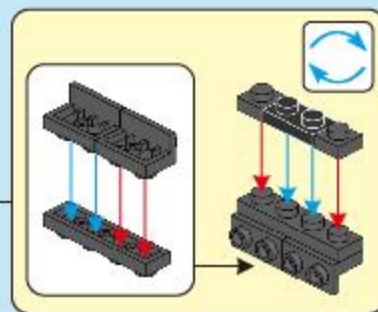
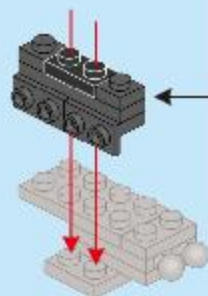
A1



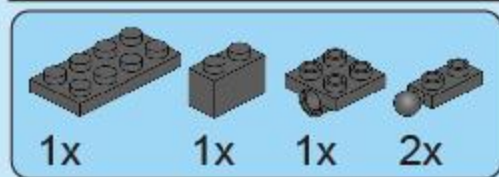
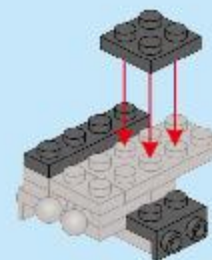
A2



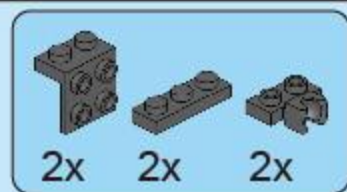
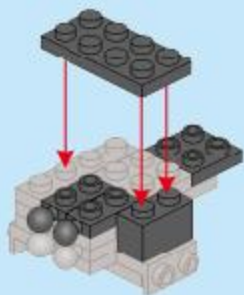
A3



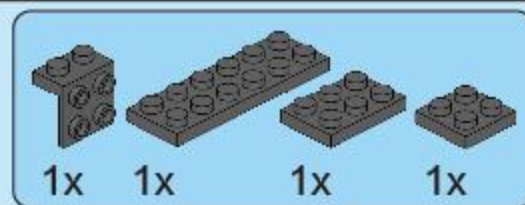
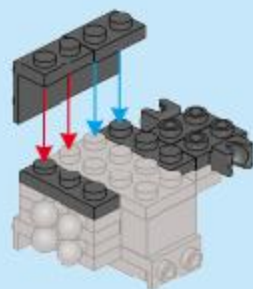
A4



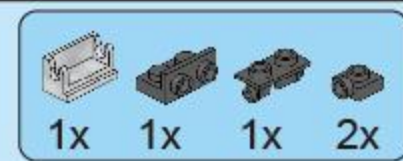
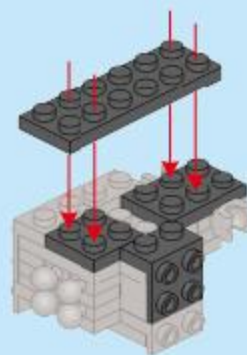
A5



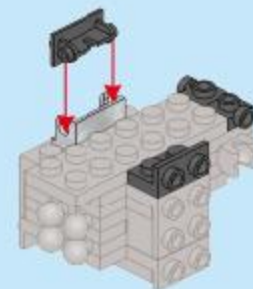
A6



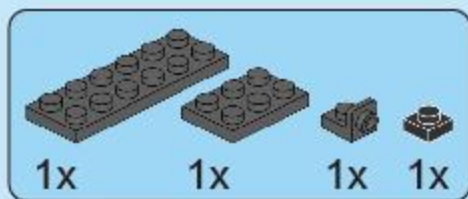
A7



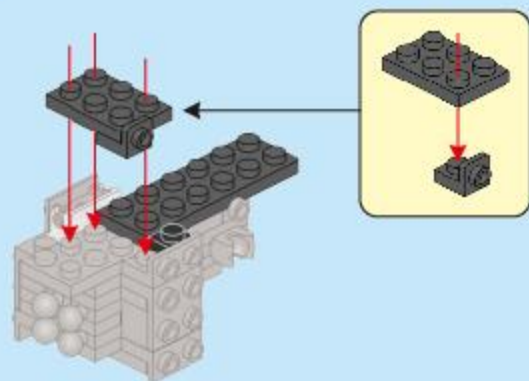
A8



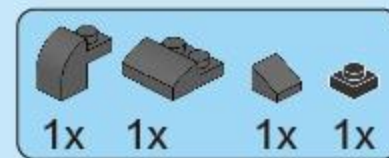
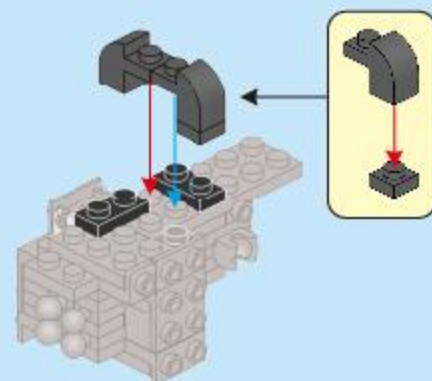




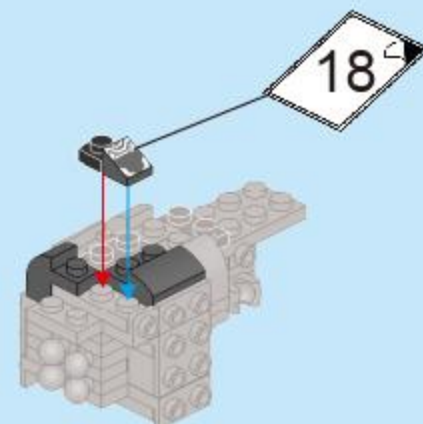
A9



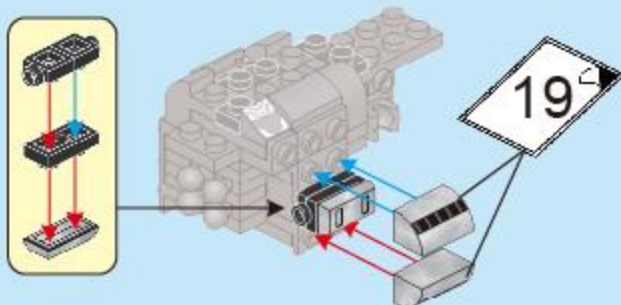
A10



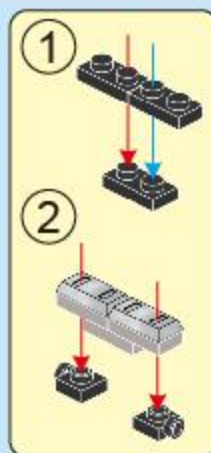
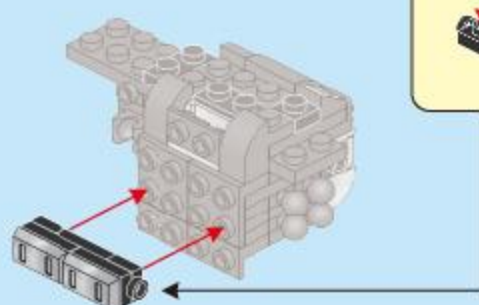
A11



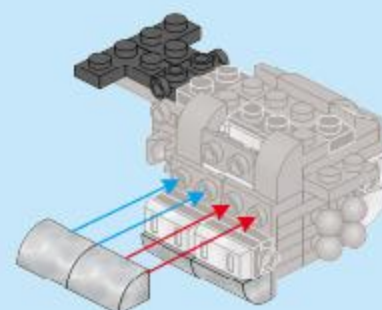
A12

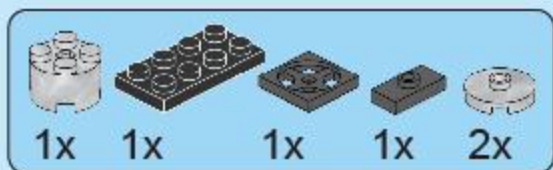


A13

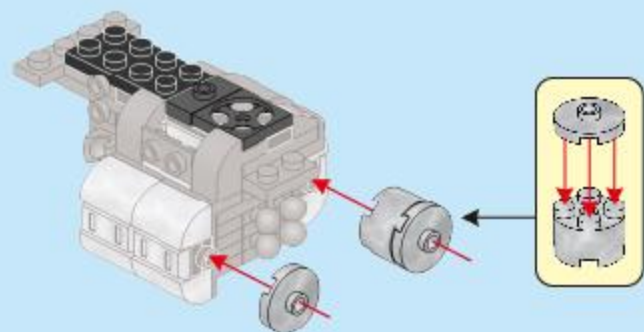


A14

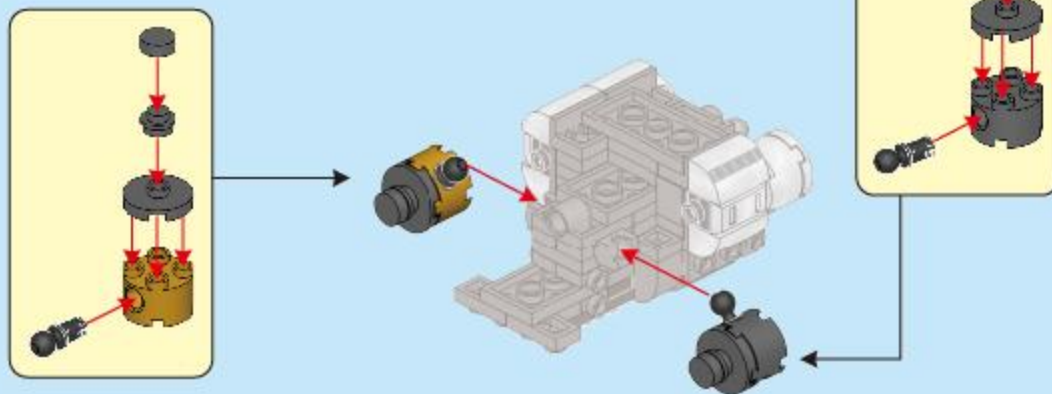




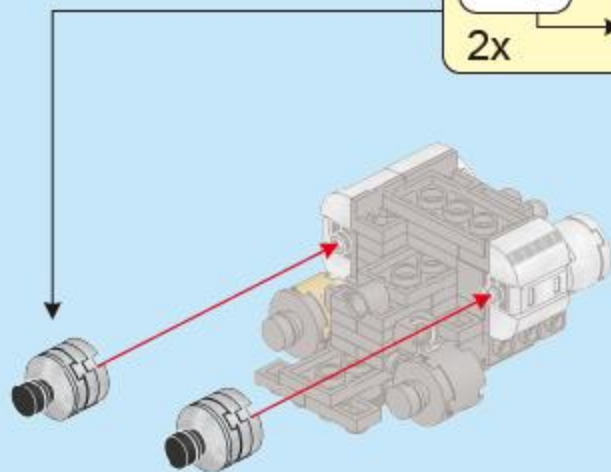
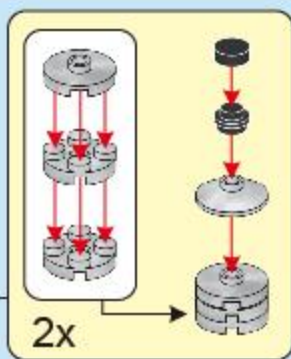
A15



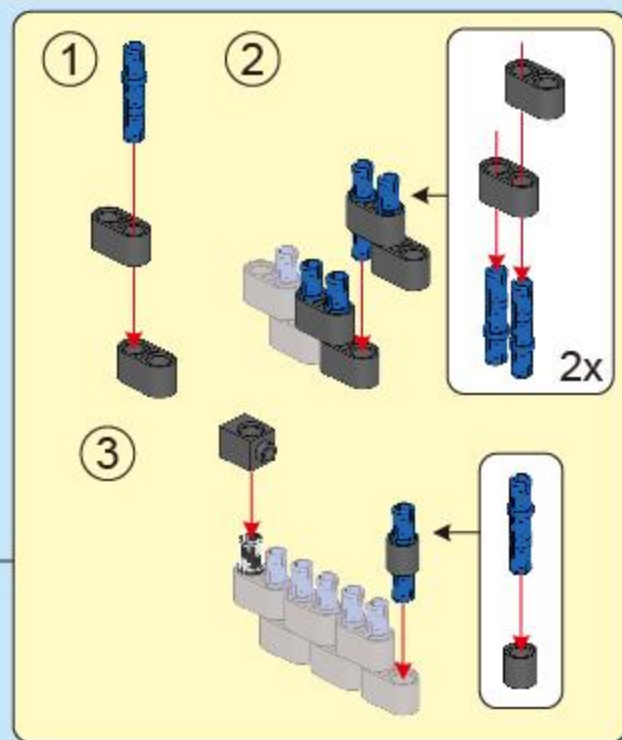
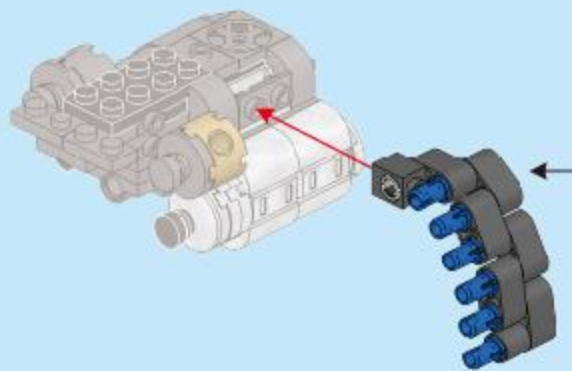
A16



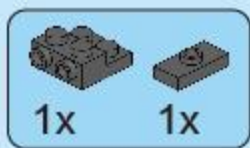
A17



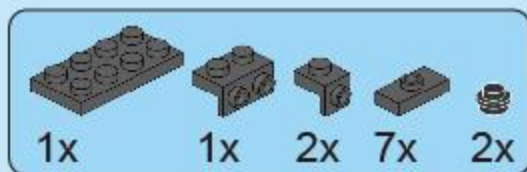
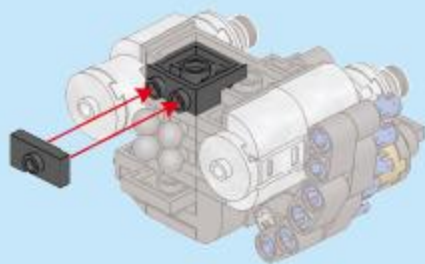
A18



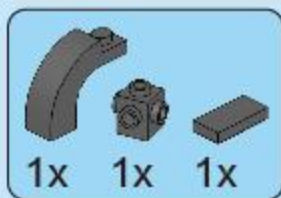
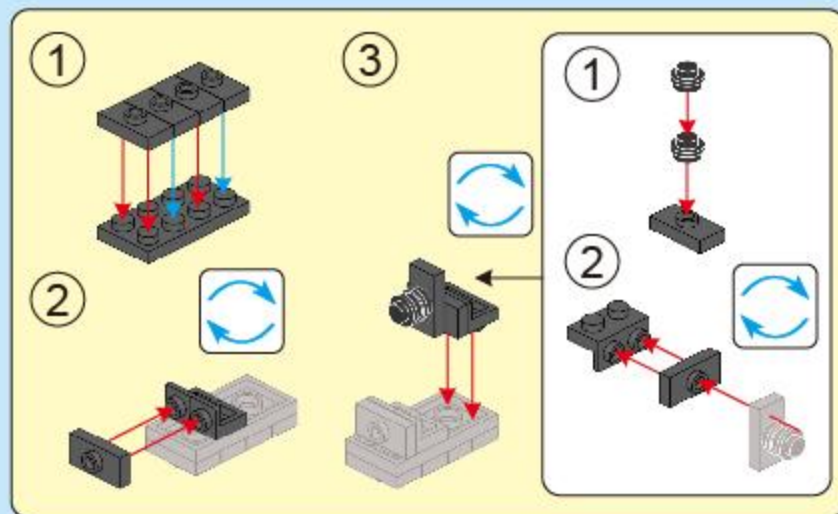
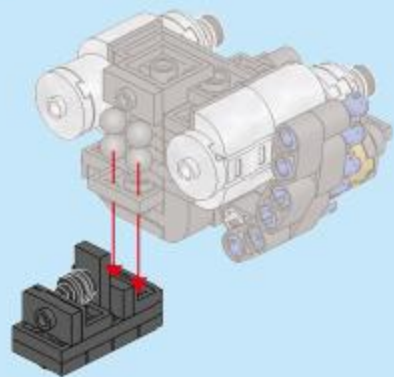




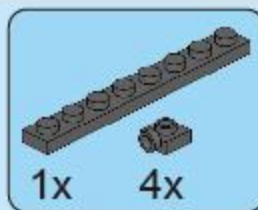
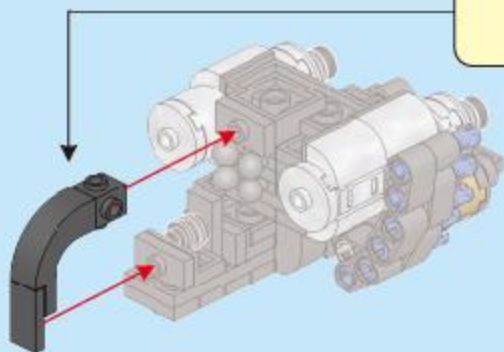
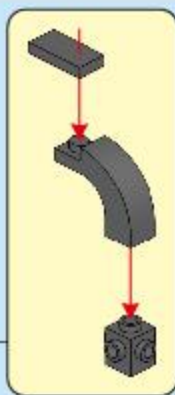
A19



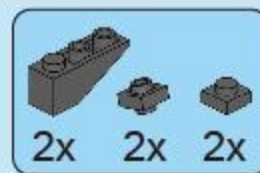
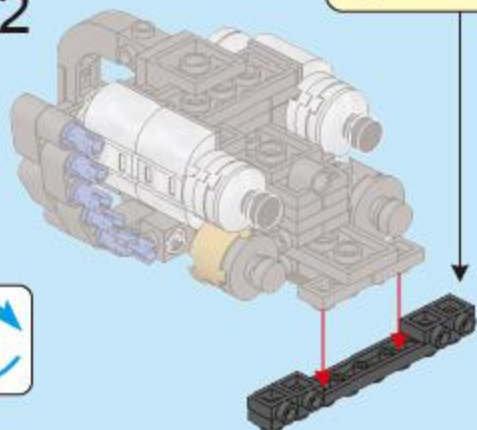
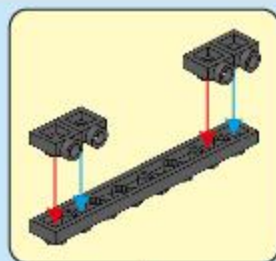
A20



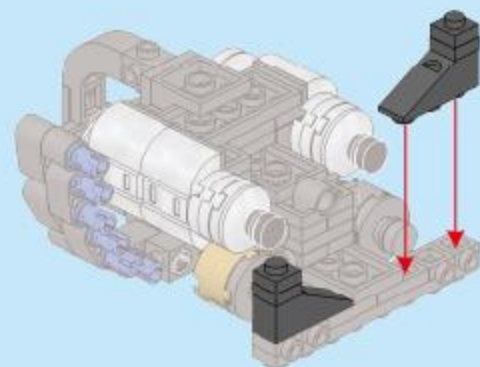
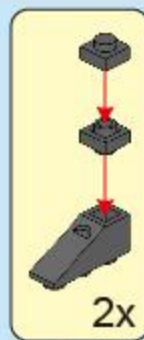
A21



A22

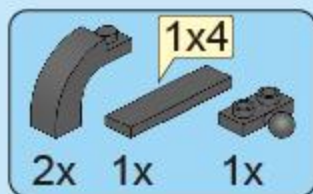
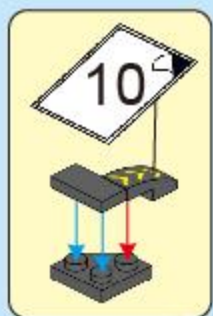


A23

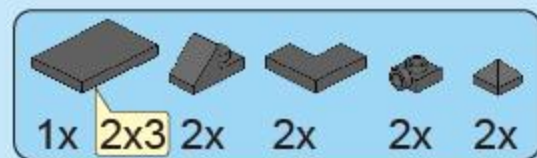
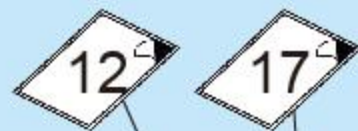
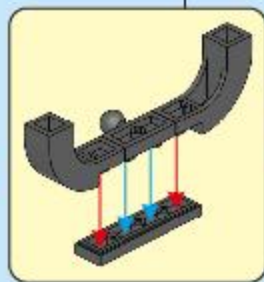




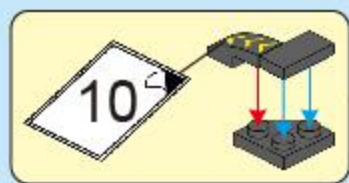
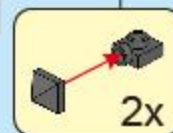
A24



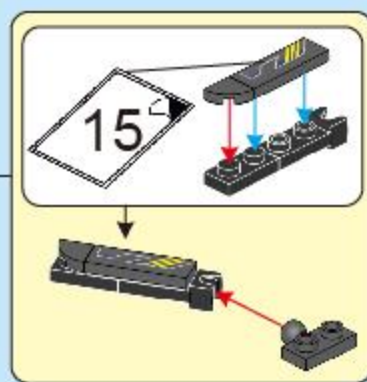
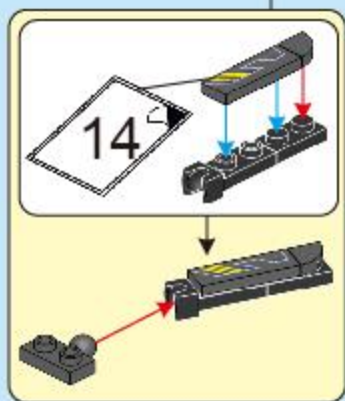
A25



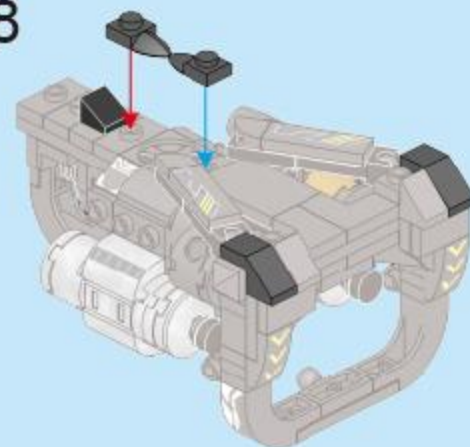
A26



A27



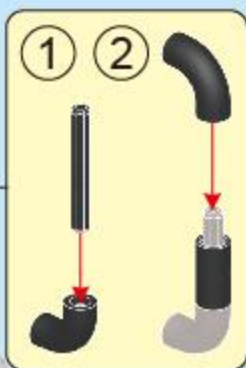
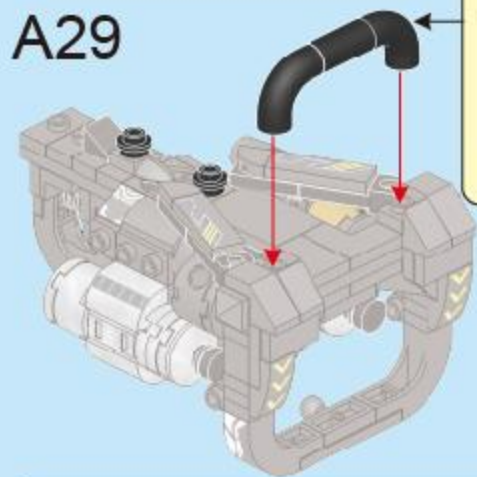
A28



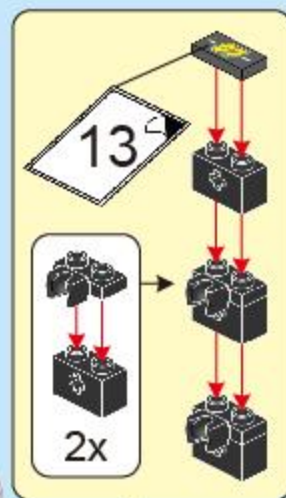
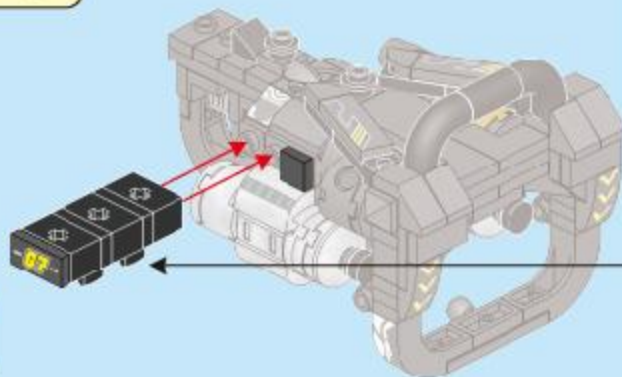




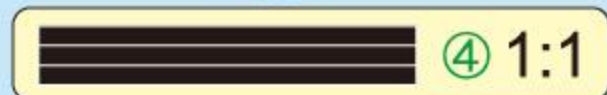
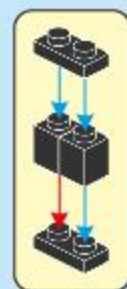
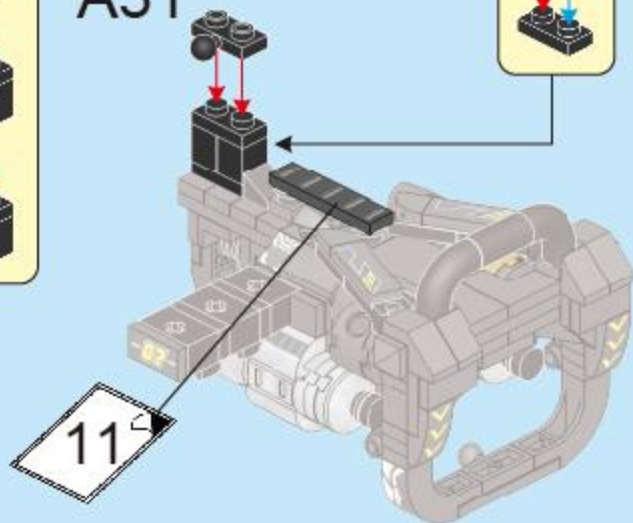
A29



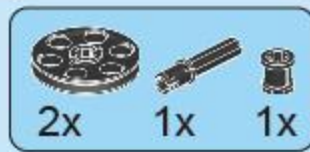
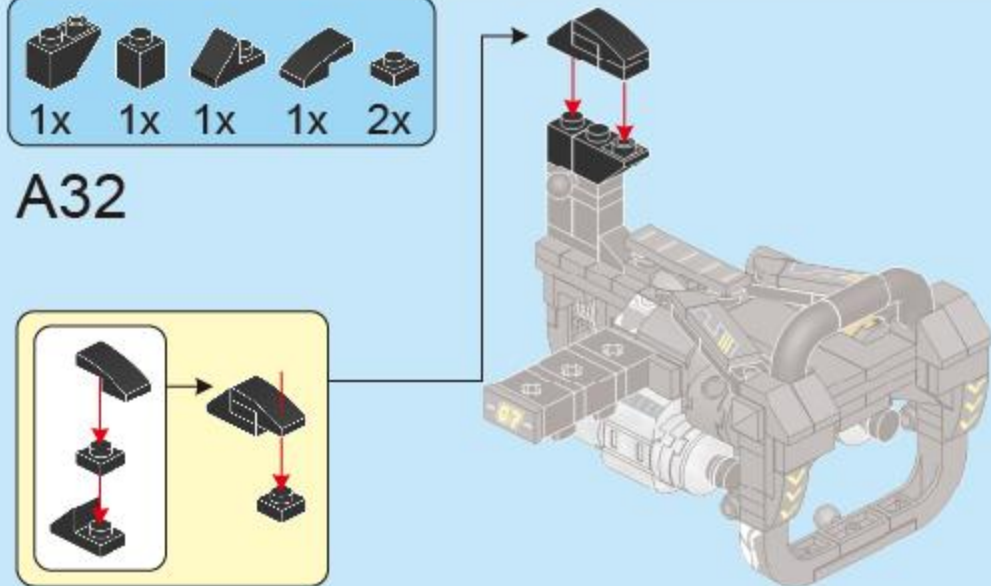
A30



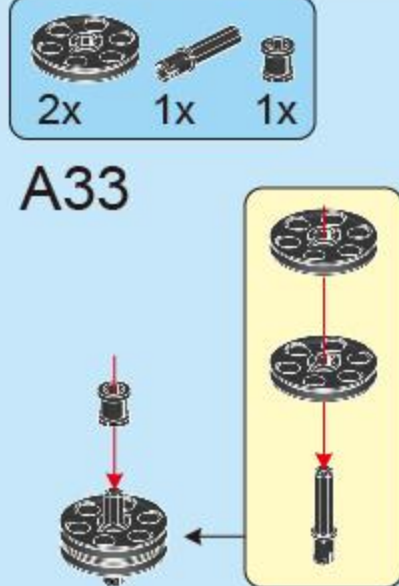
A31



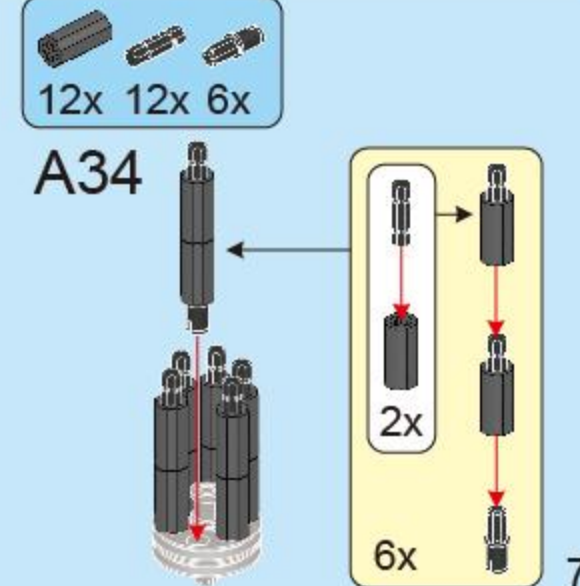
A32



A33

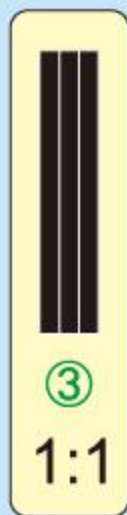


A34

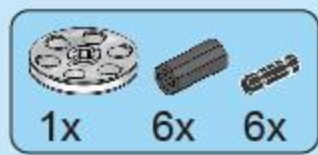




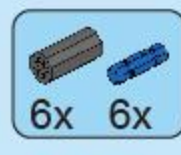
A35



A36



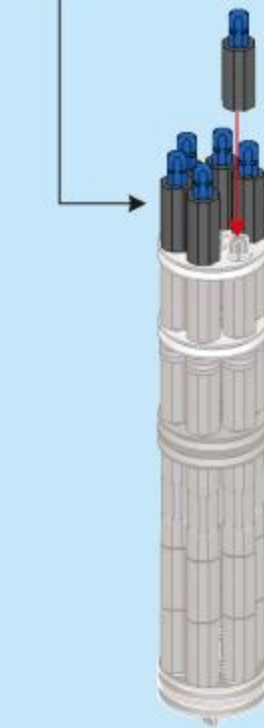
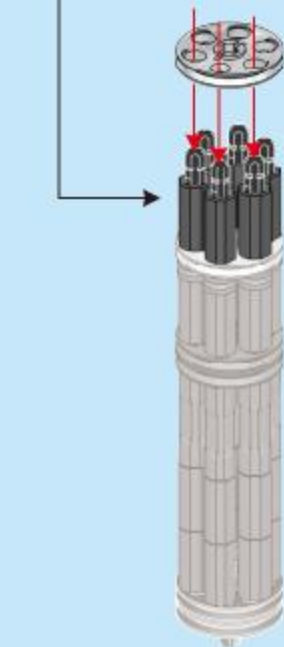
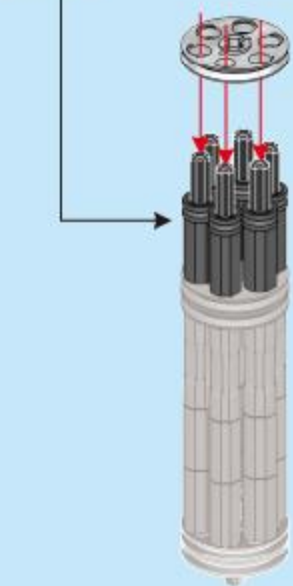
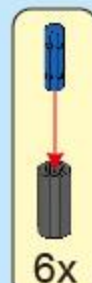
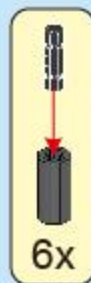
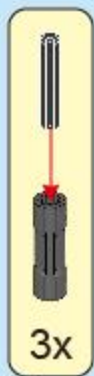
A37



A38



A39

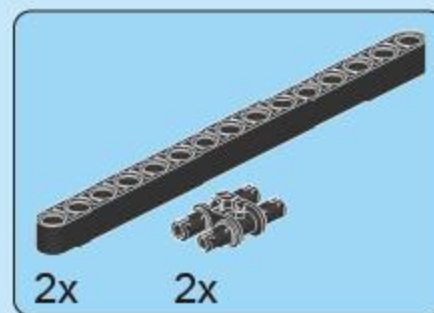
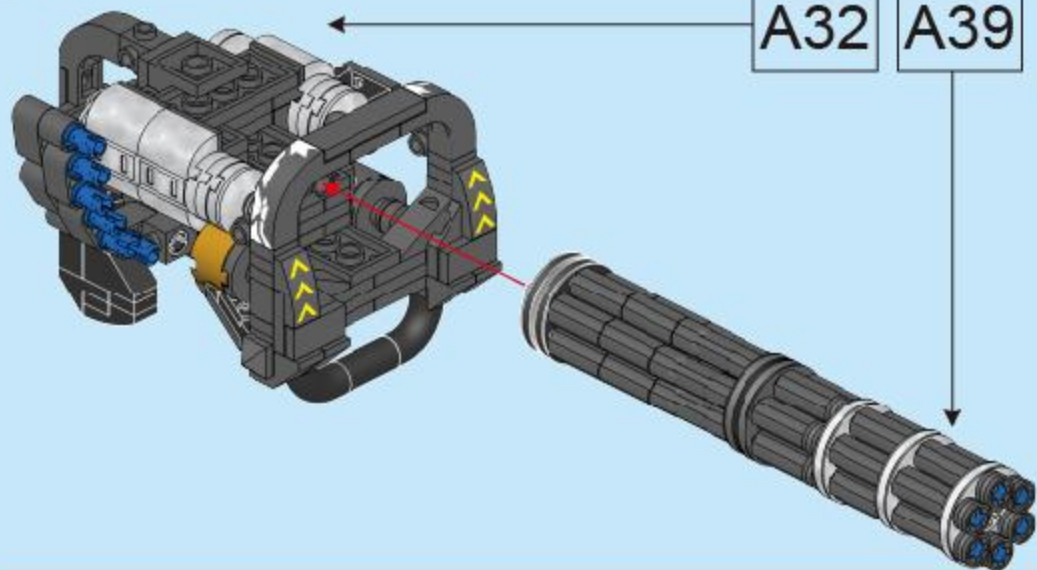




A40

A32

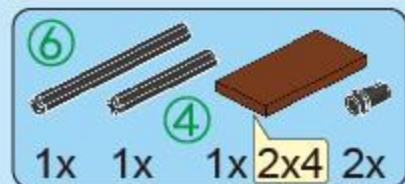
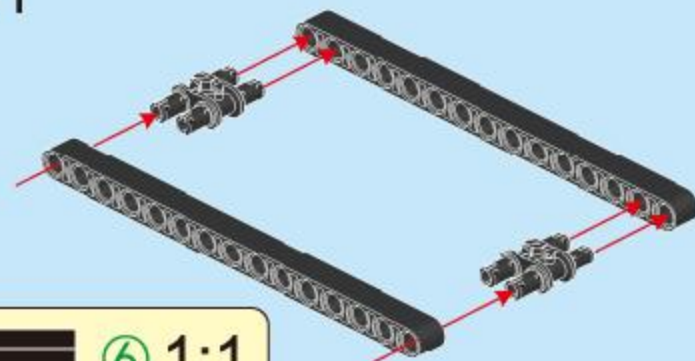
A39



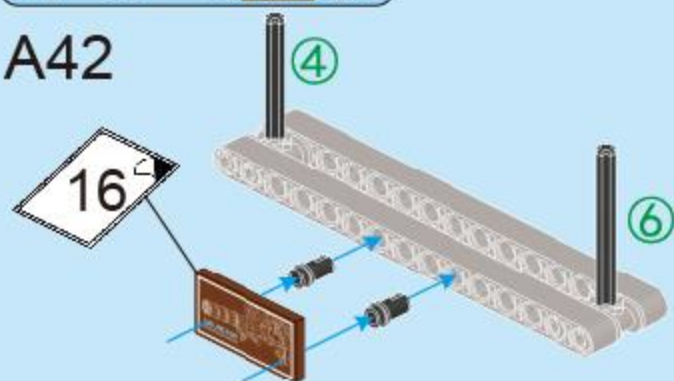
2x

2x

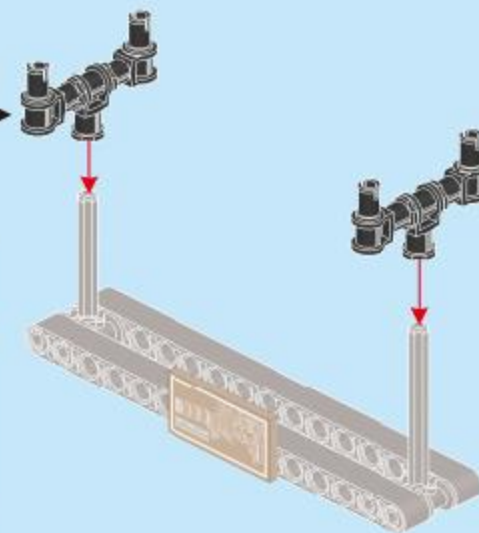
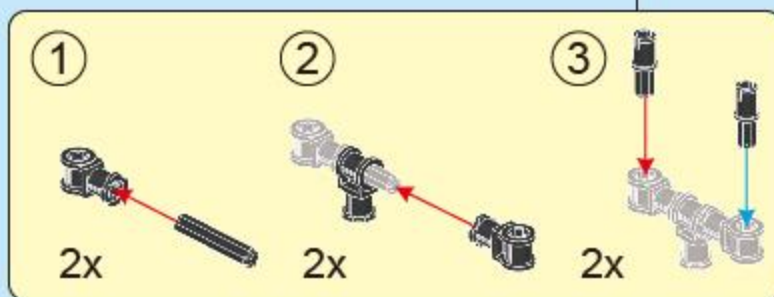
A41



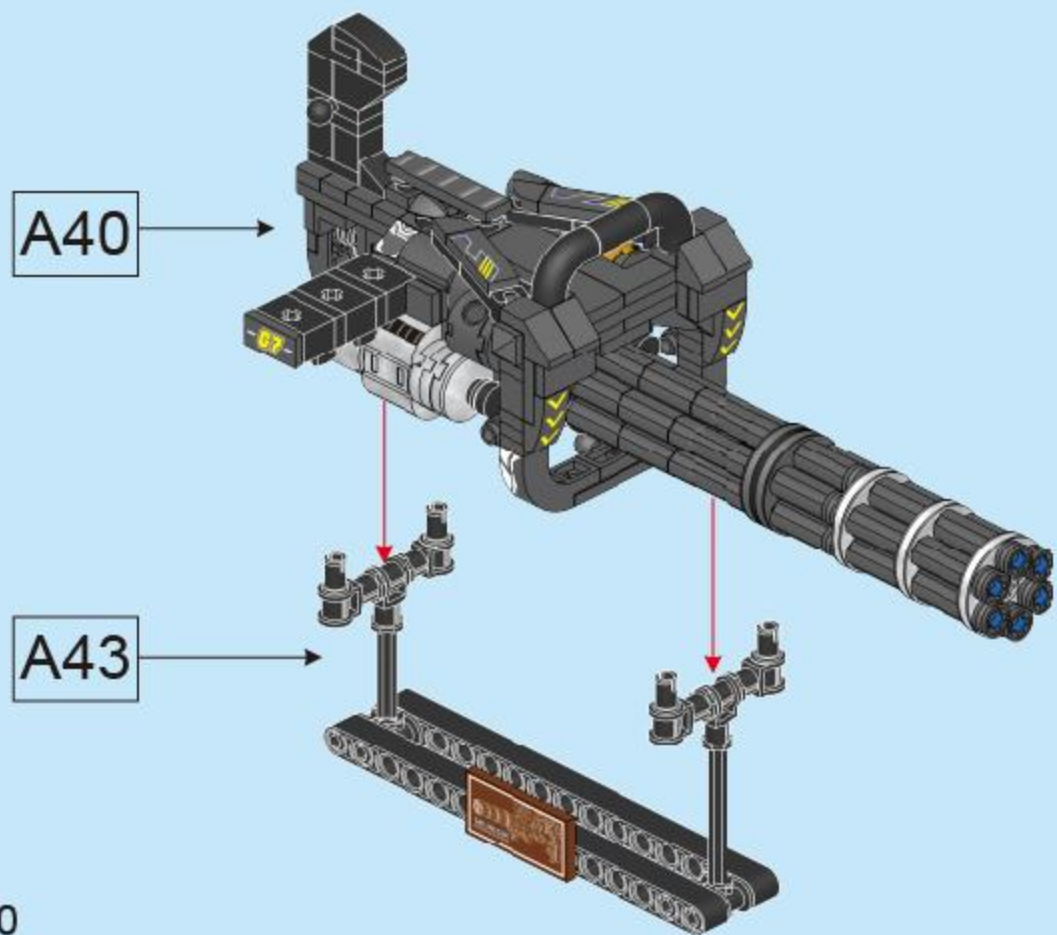
A42



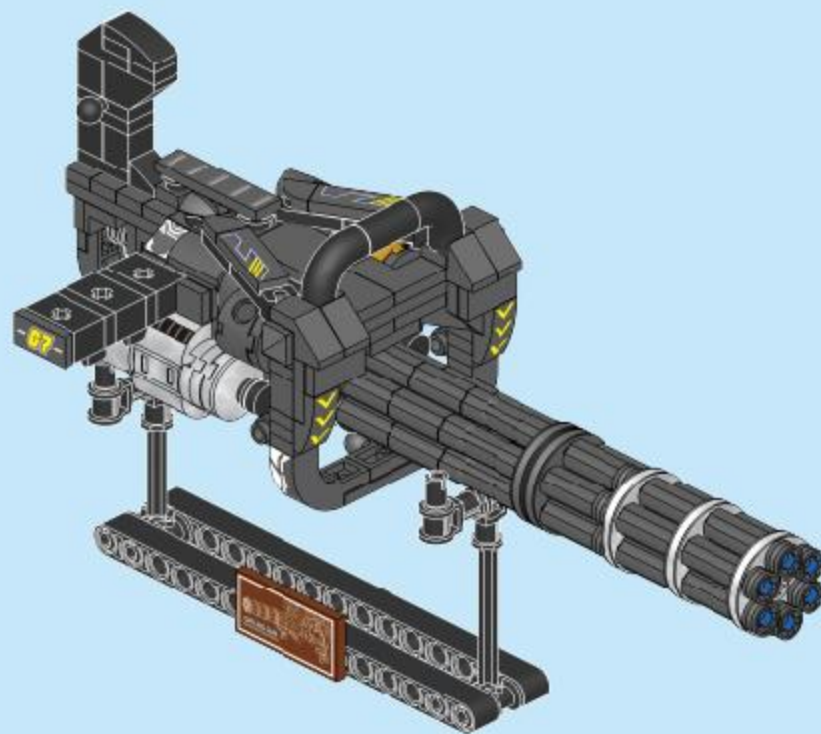
A43



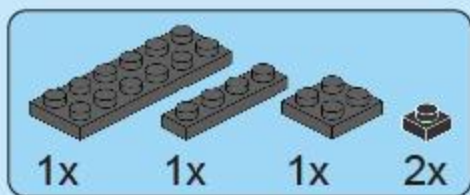
A44



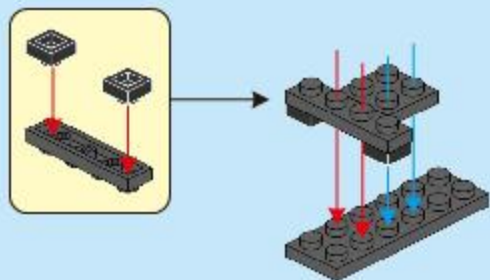
A



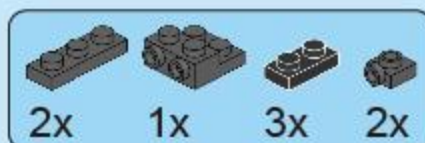
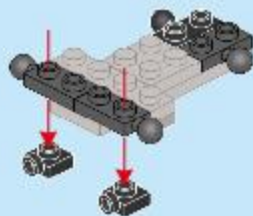




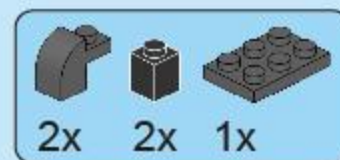
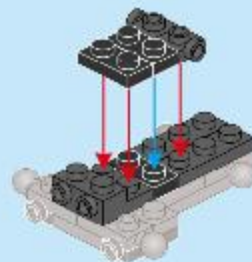
B1



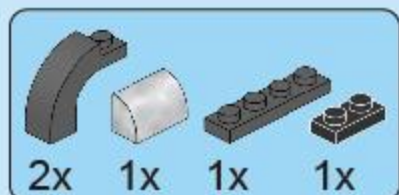
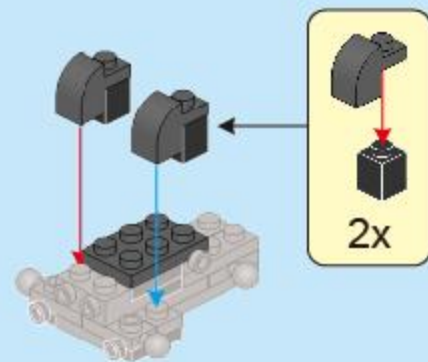
B2



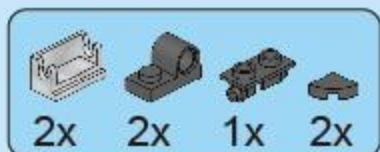
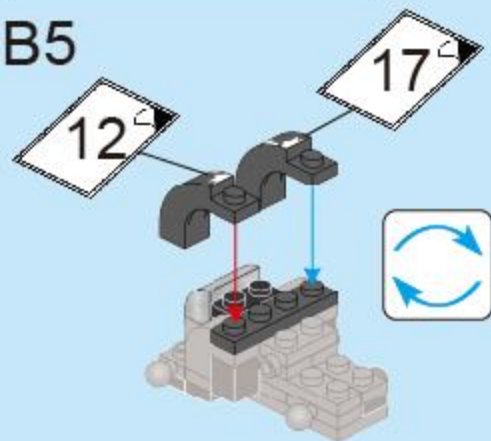
B3



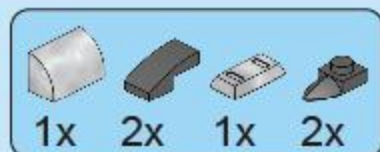
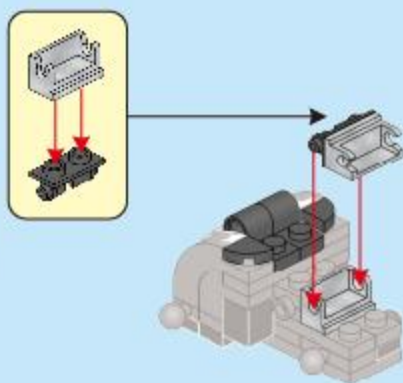
B4



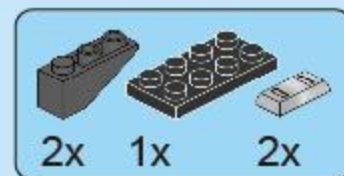
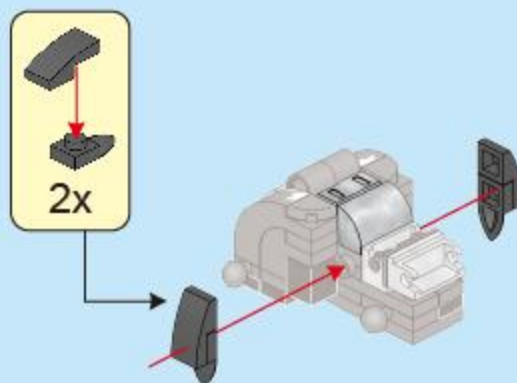
B5



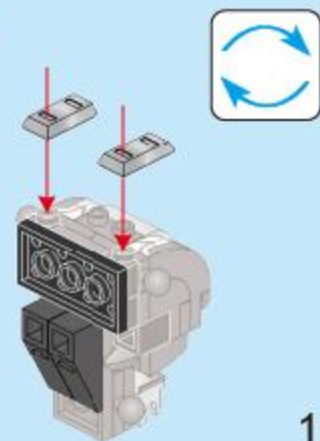
B6

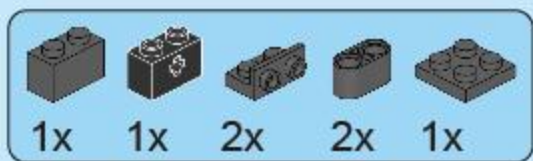


B7



B8





B9



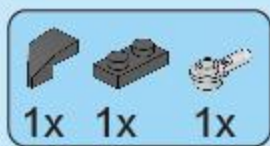
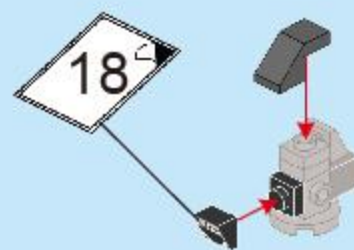
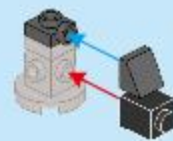
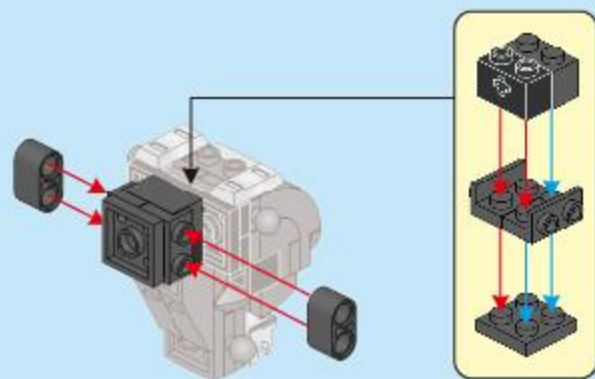
B10



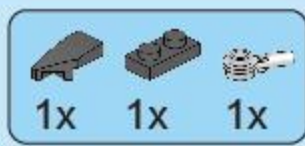
B11



B12

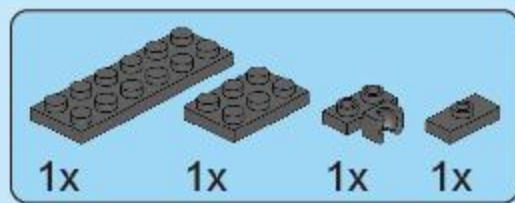


B13



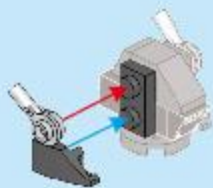
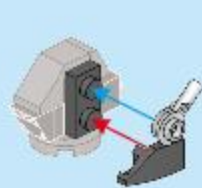
B14

B15



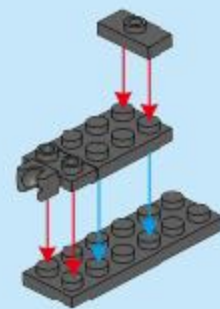
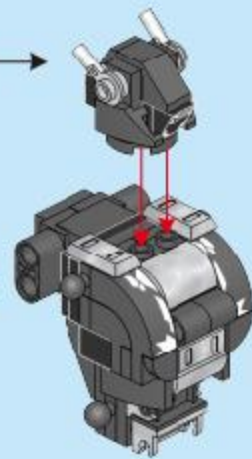
B16

12



B14

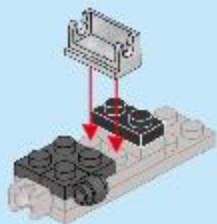
B9



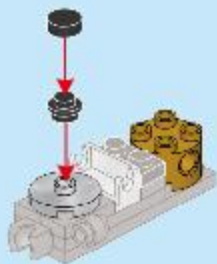




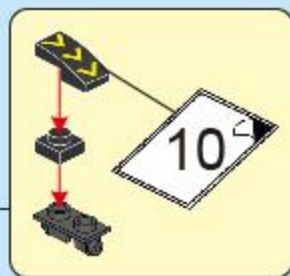
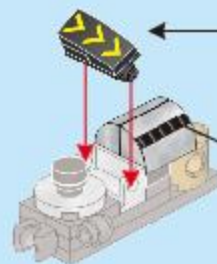
B17



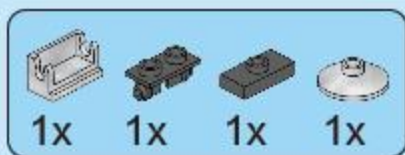
B18



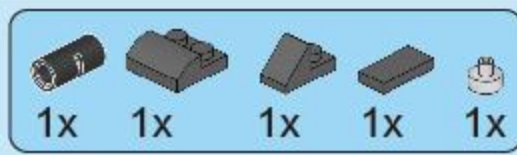
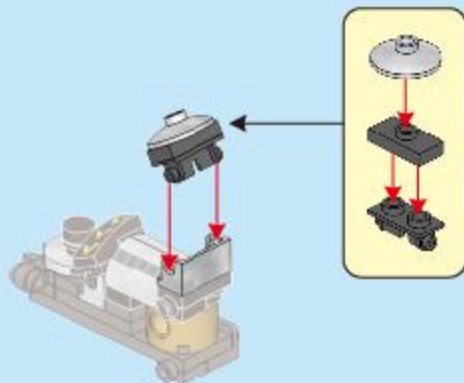
B19



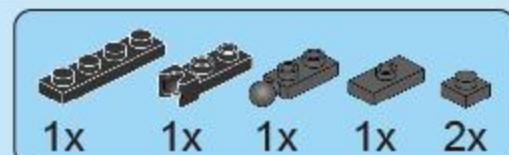
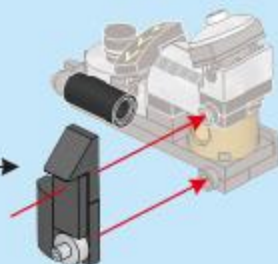
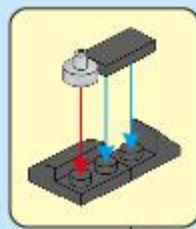
B20



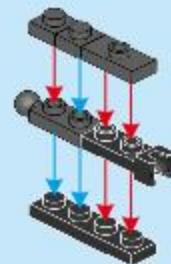
B21

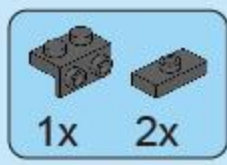


B22

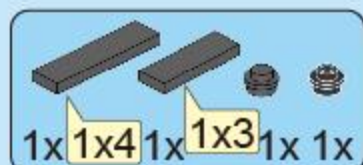
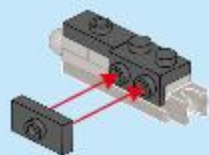


B23

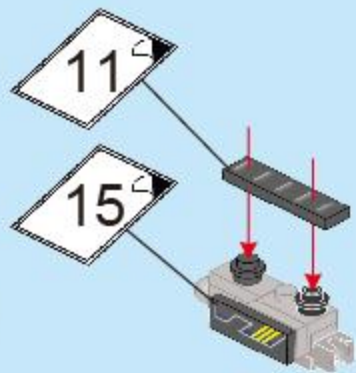




B24



B25

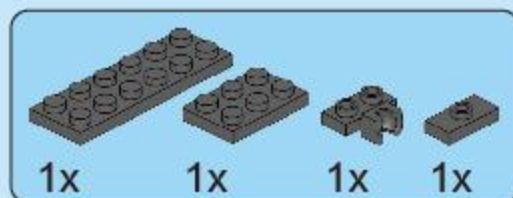
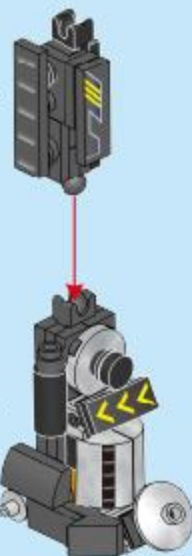


B26

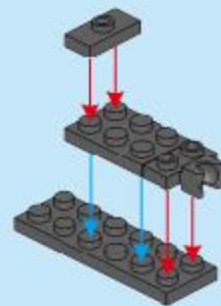
B25



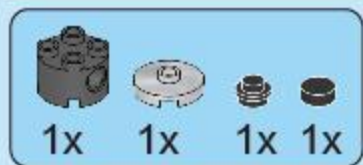
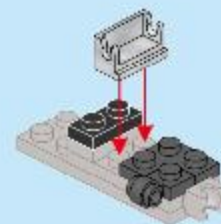
B22



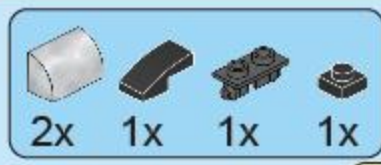
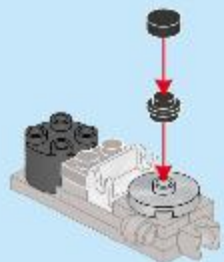
B27



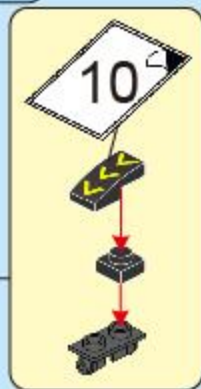
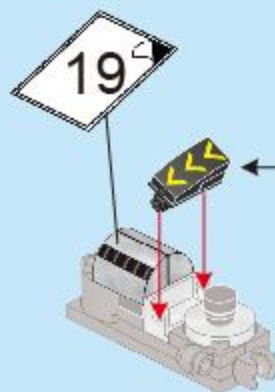
B28



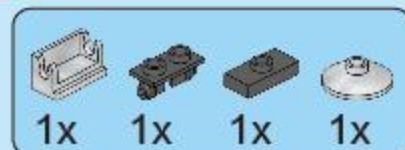
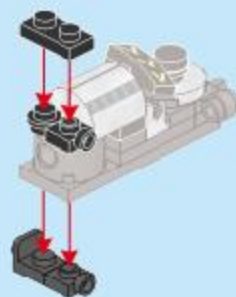
B29



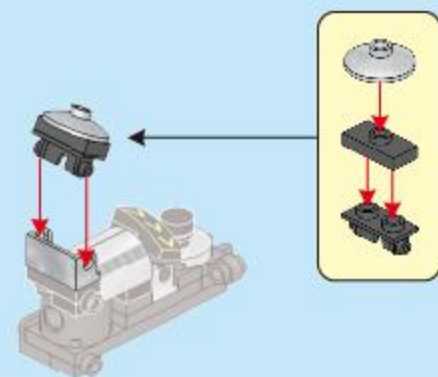
B30



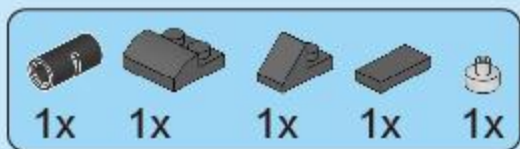
B31



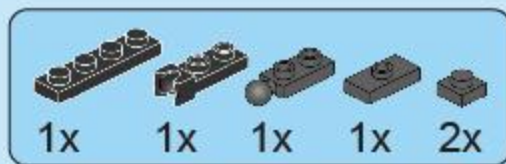
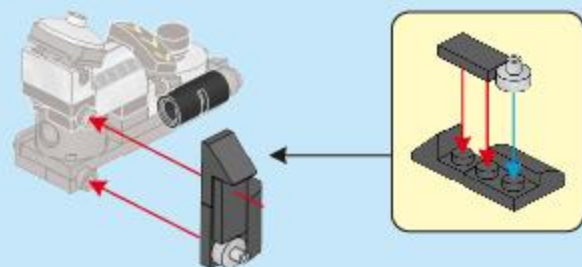
B32



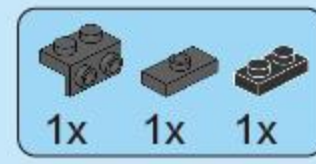
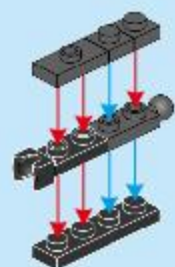




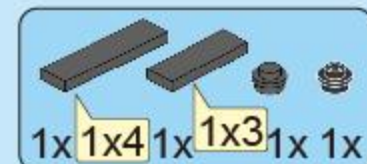
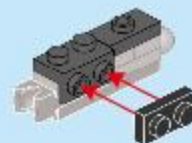
B33



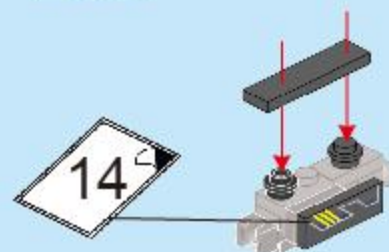
B34



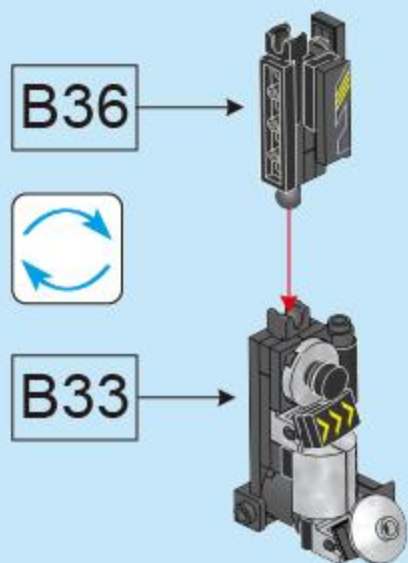
B35



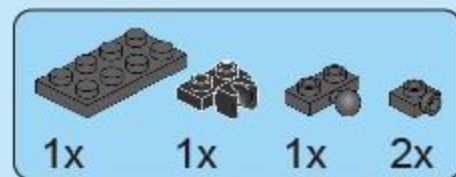
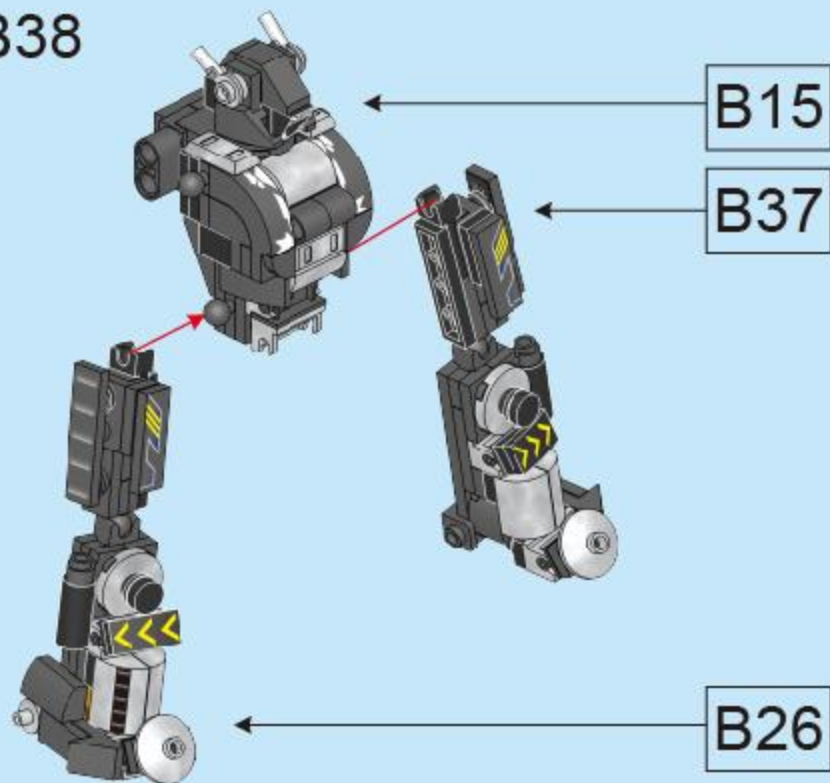
B36



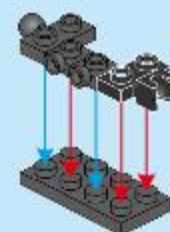
B37

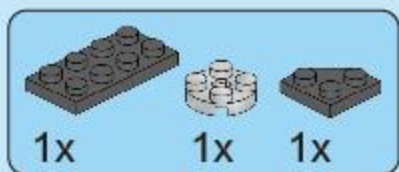


B38

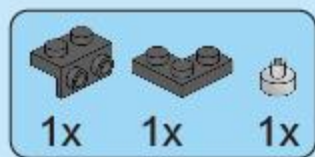
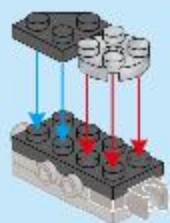


B39

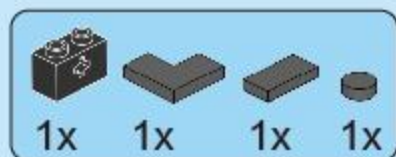




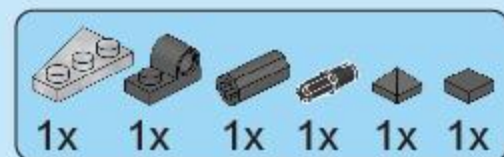
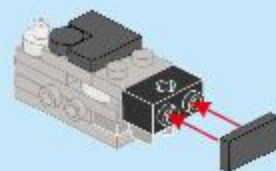
B40



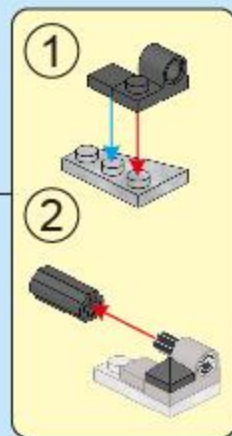
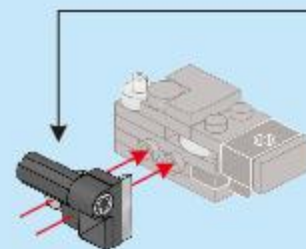
B41



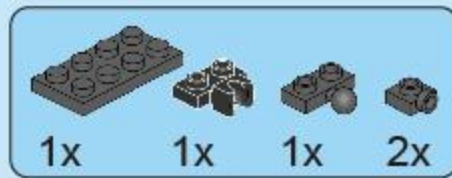
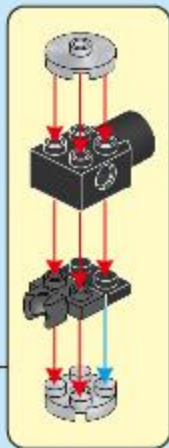
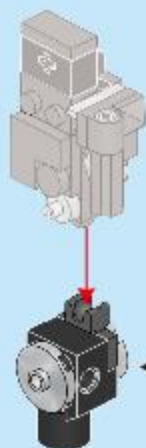
B42



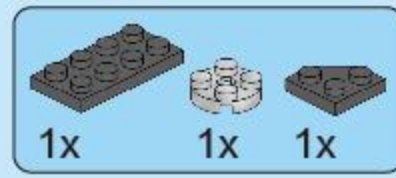
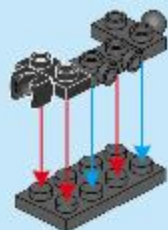
B43



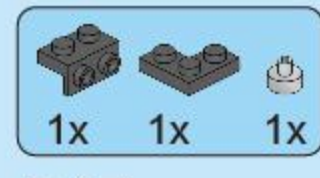
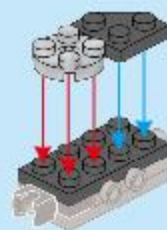
B44



B45



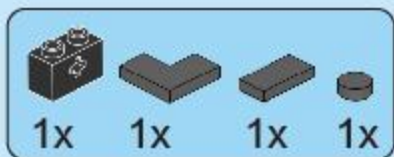
B46



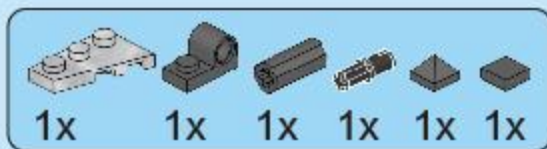
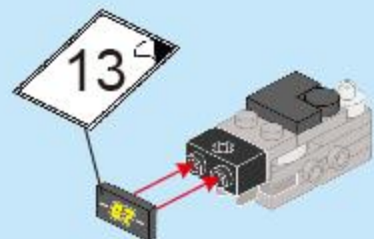
B47



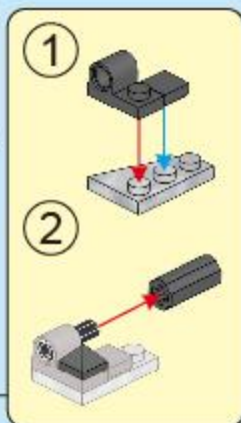
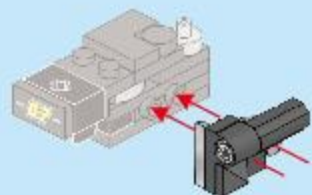




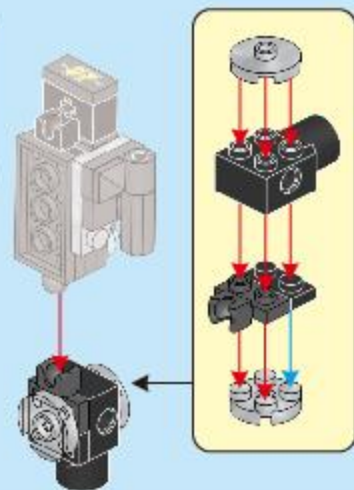
B48



B49

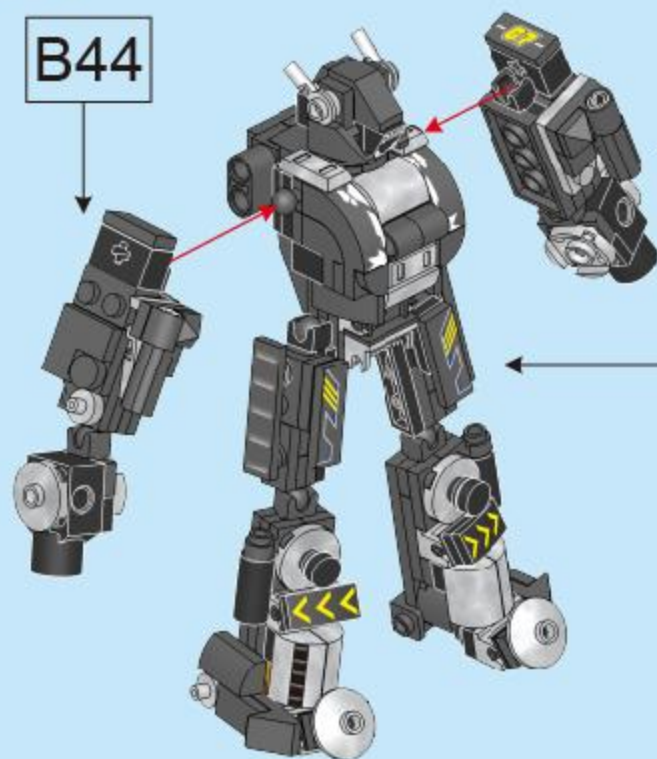


B50

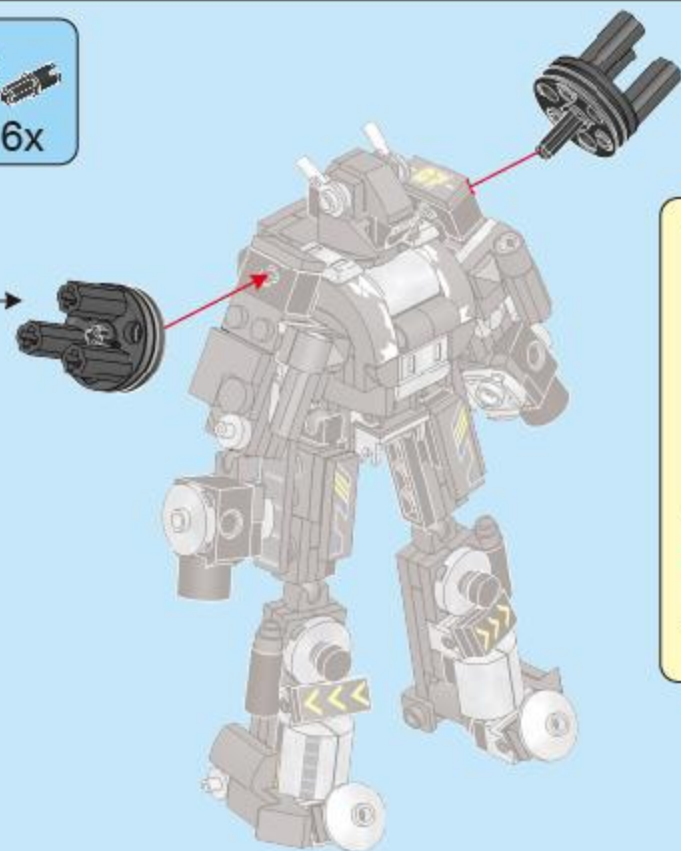
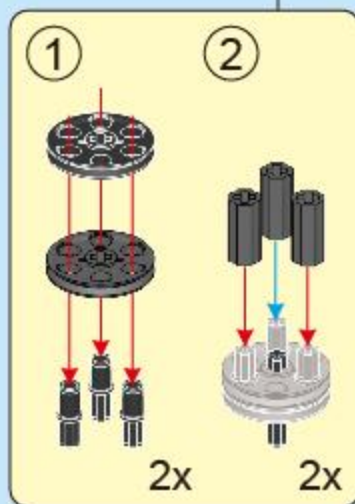


B51

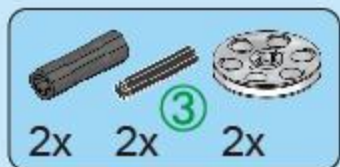
B44



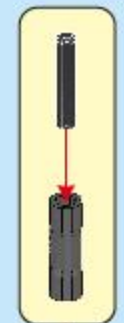
B52



③  
1:1



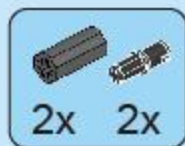
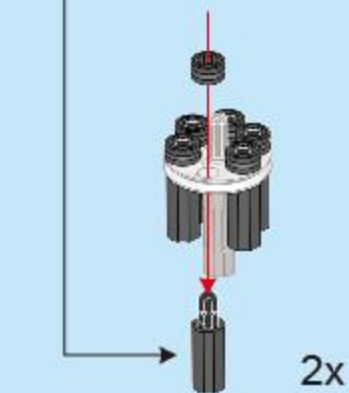
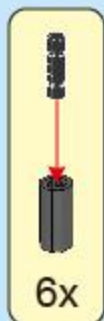
B53



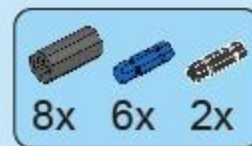
18 2x



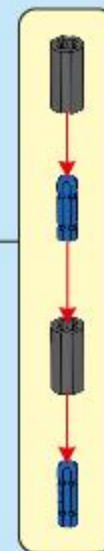
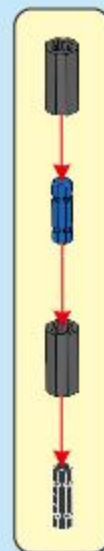
B54



B55



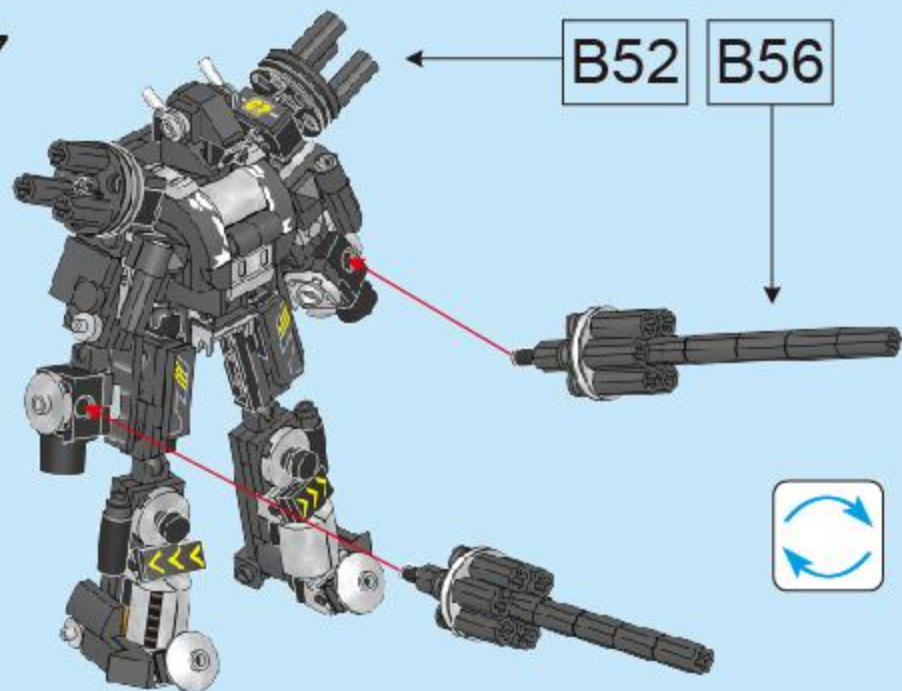
B56



2x



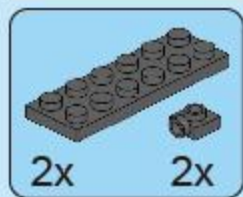
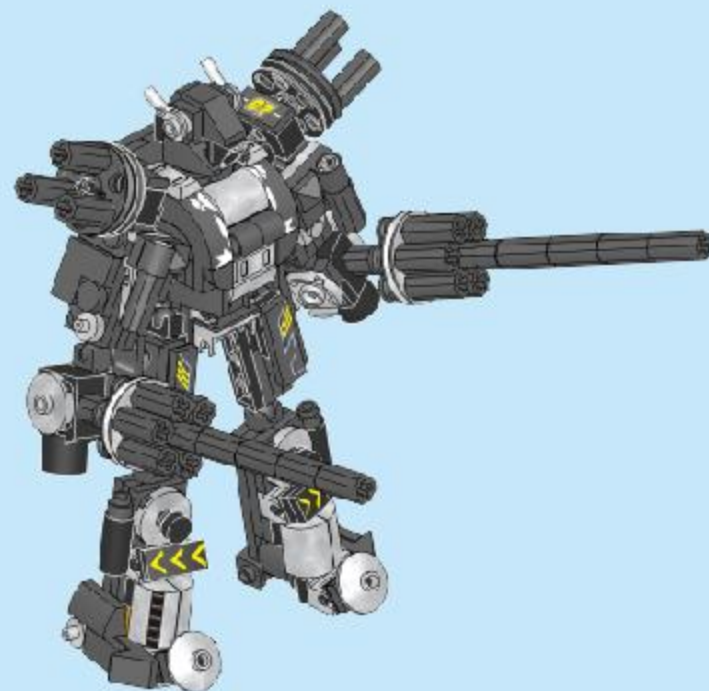
B57



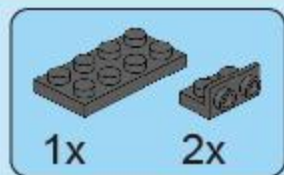
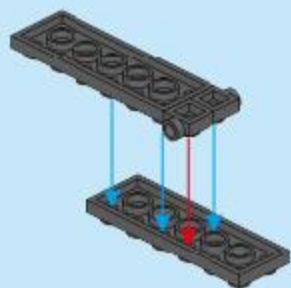
B52

B56

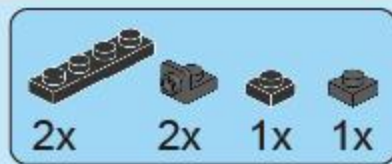
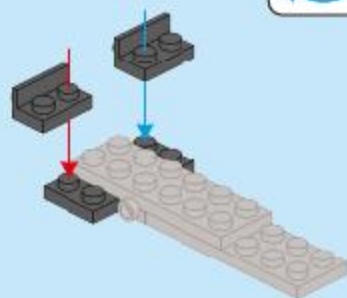
B



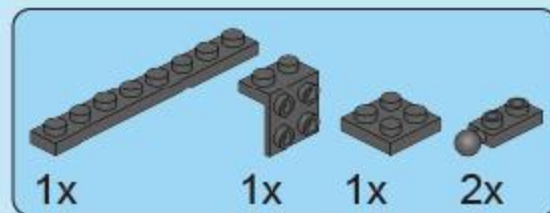
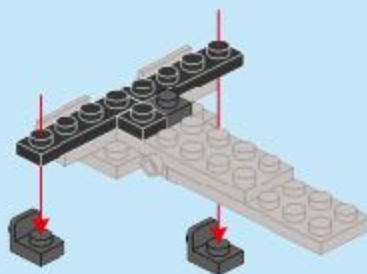
C1



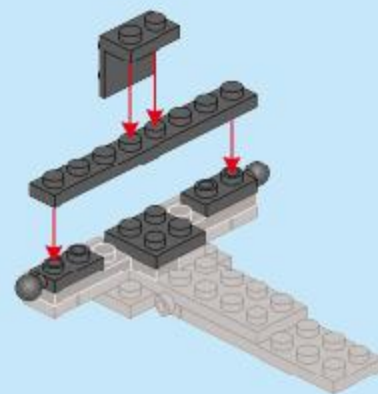
C2

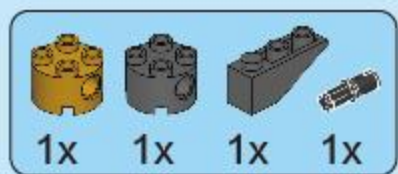


C3

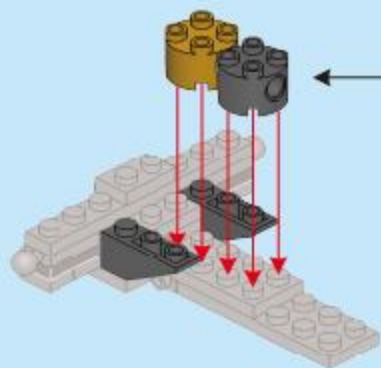
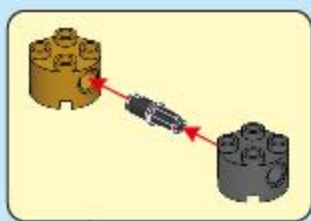


C4

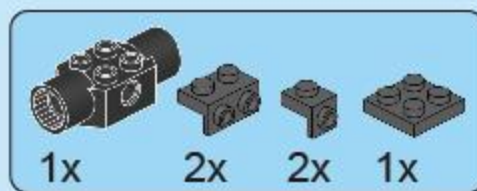




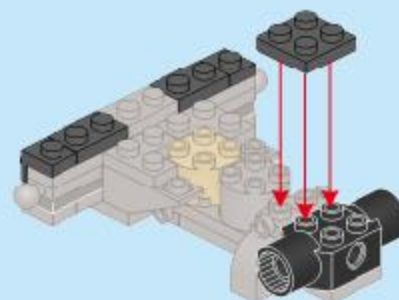
C5



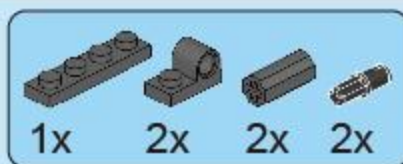
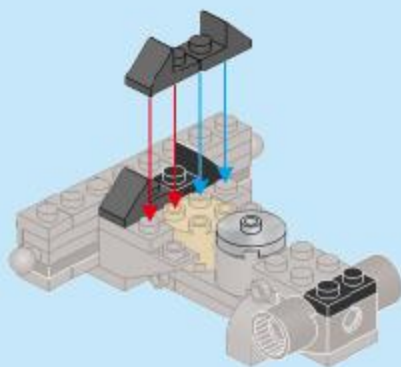
C6



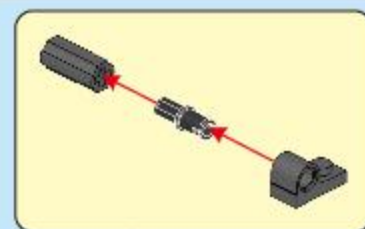
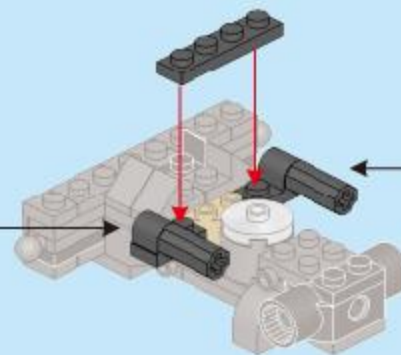
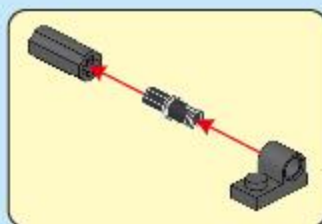
C7



C8



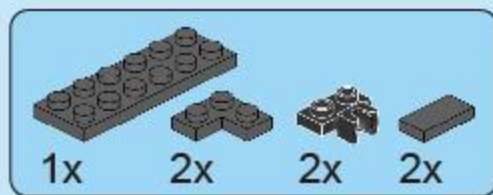
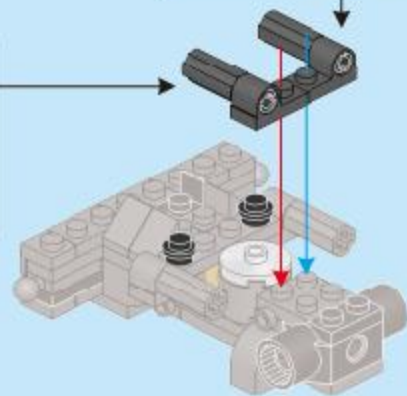
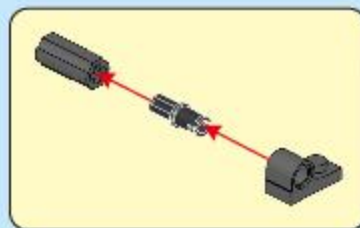
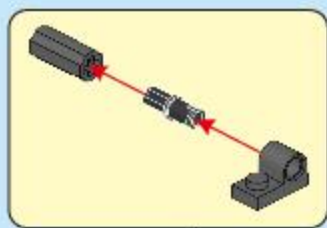
C9



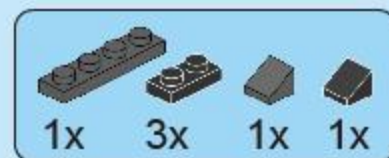
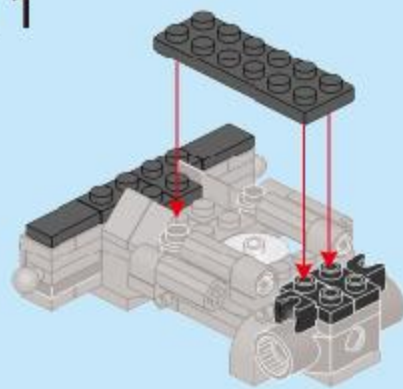




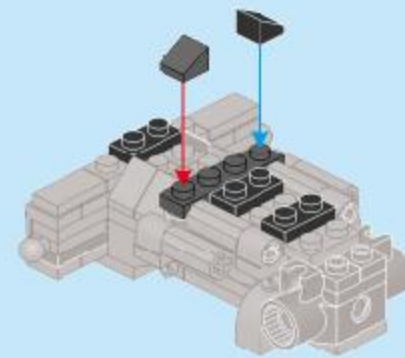
C10



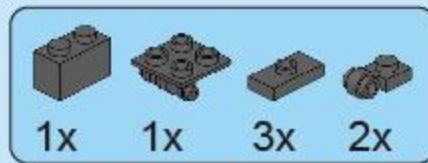
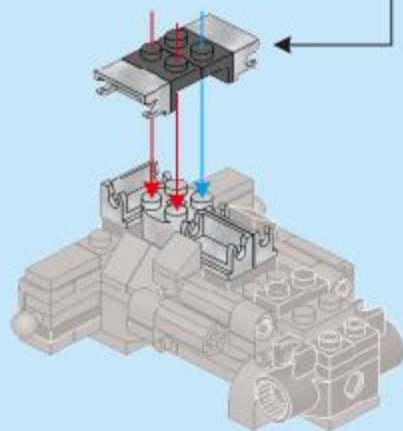
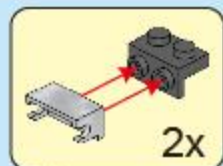
C11



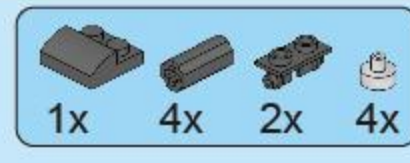
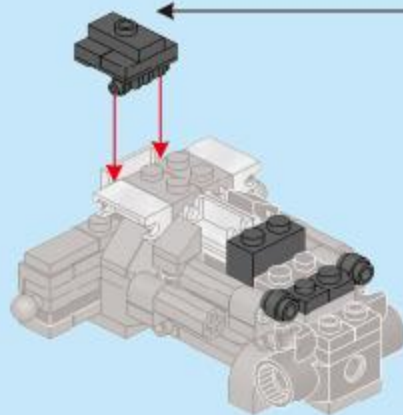
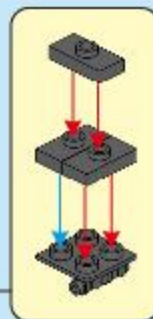
C12



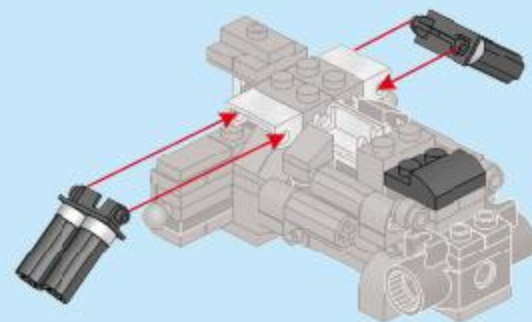
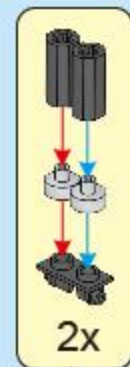
C13

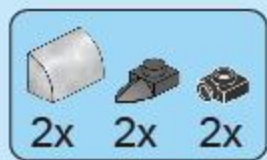


C14

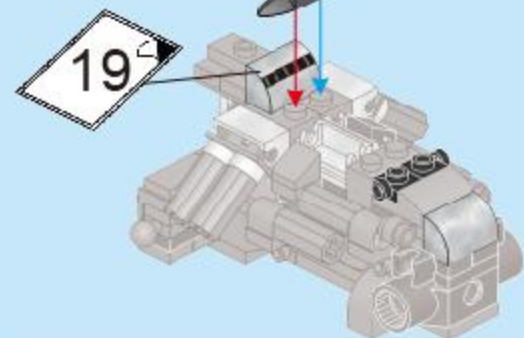


C15

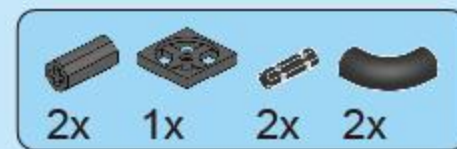
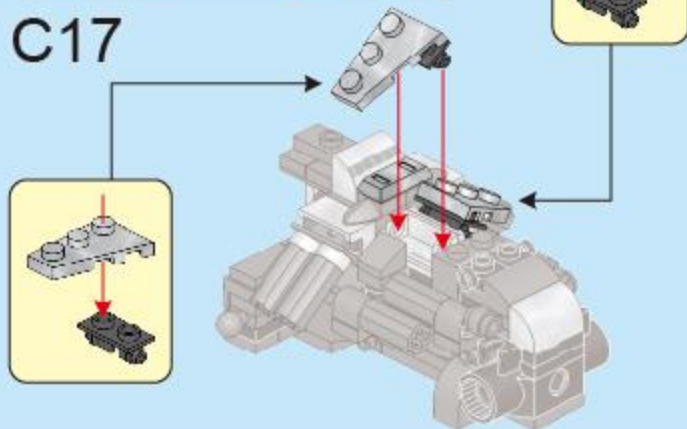




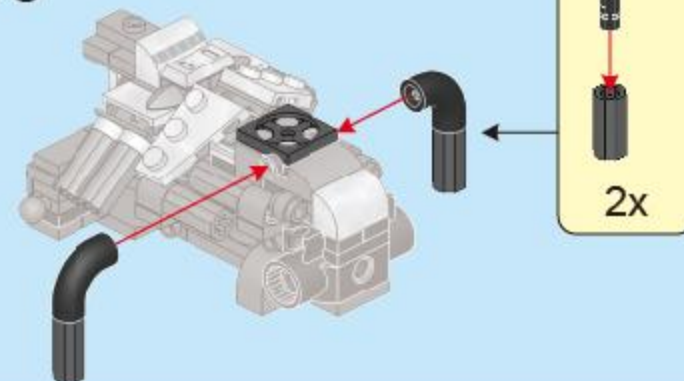
C16



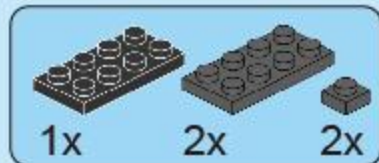
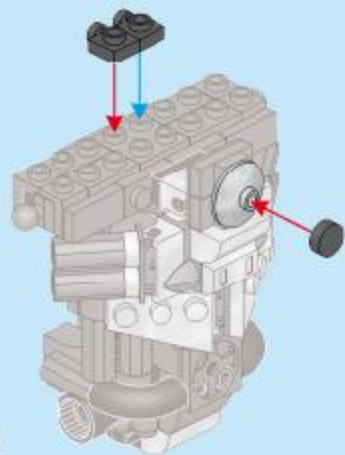
C17



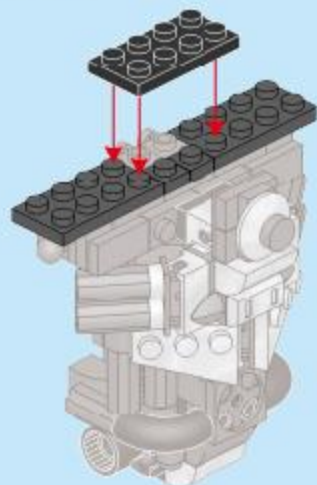
C18



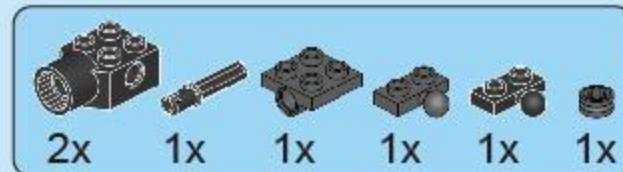
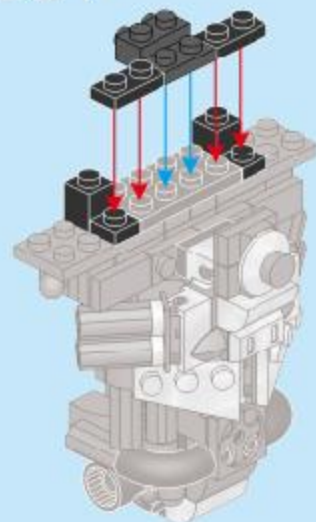
C19



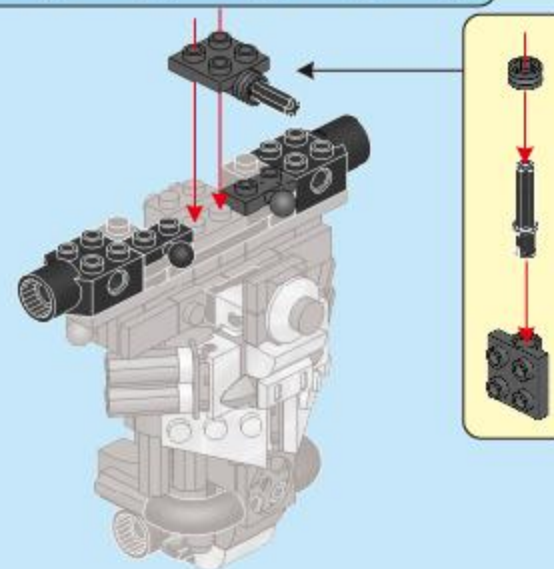
C20



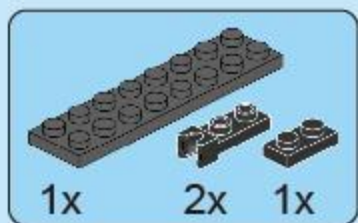
C21



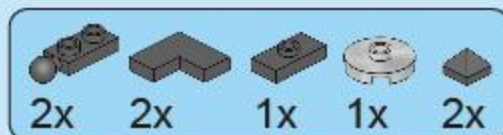
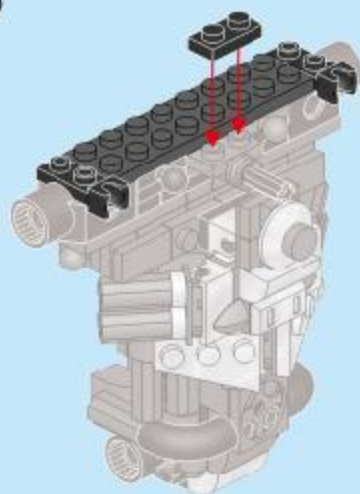
C22



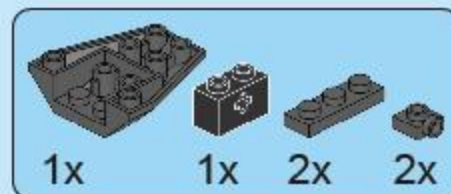
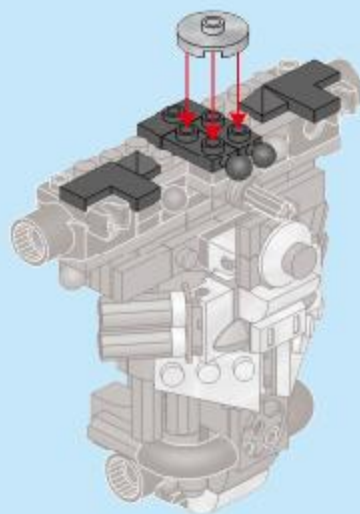




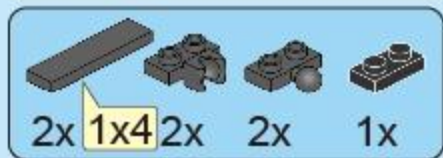
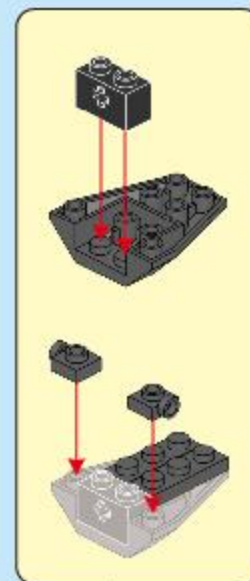
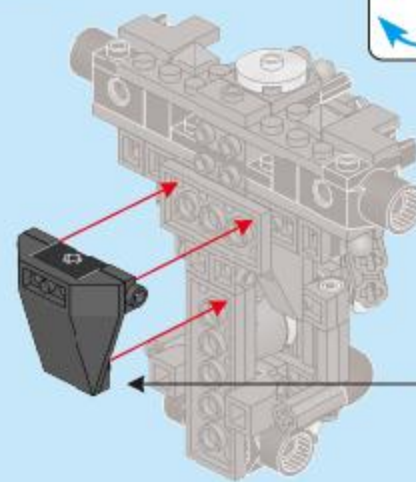
C23



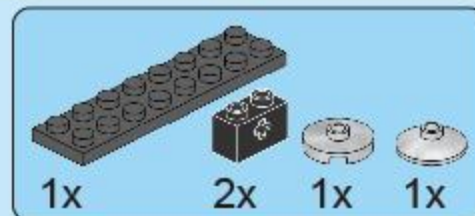
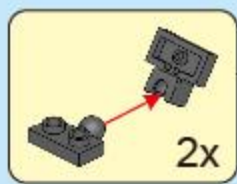
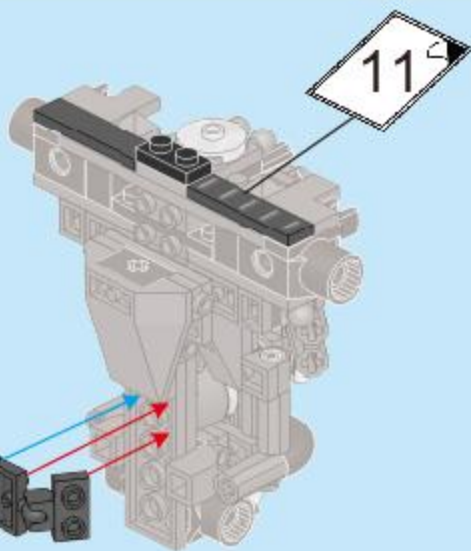
C24



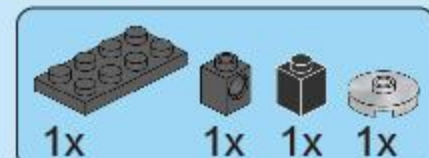
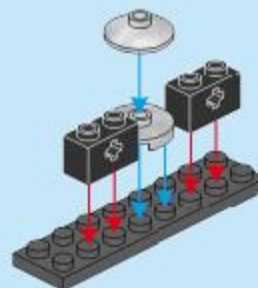
C25



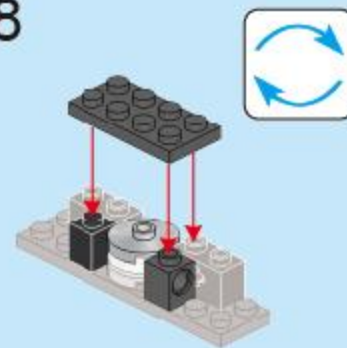
C26

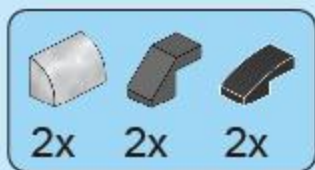


C27

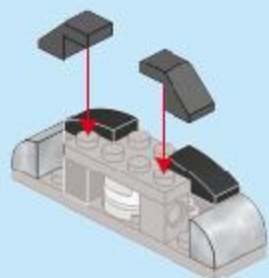


C28





C29

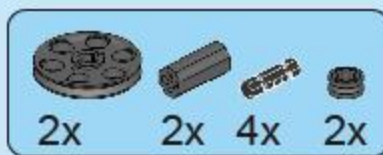
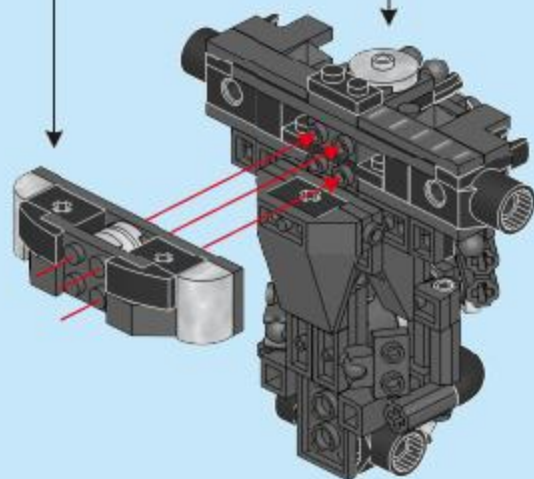


C30

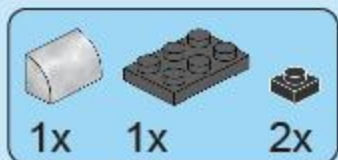
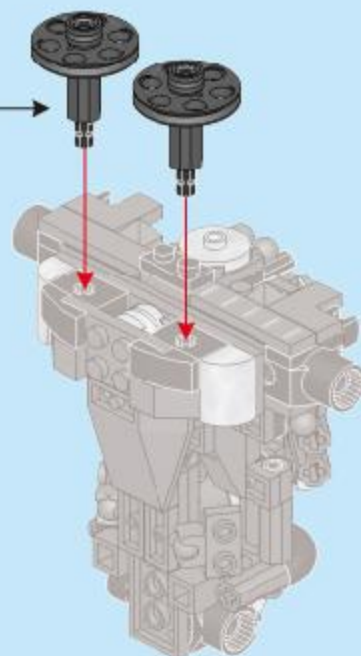
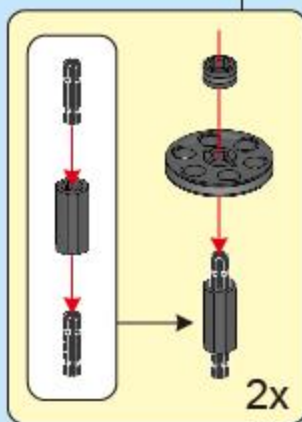
C29



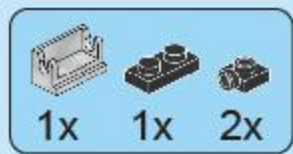
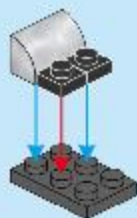
C26



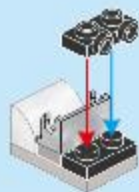
C31



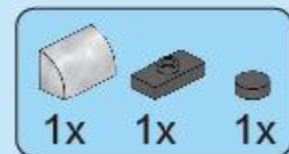
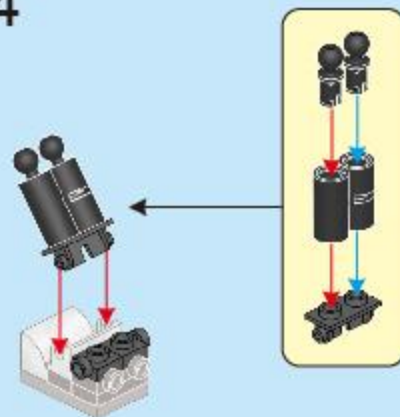
C32



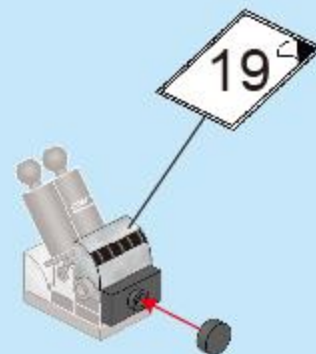
C33



C34



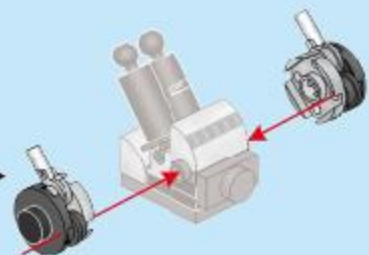
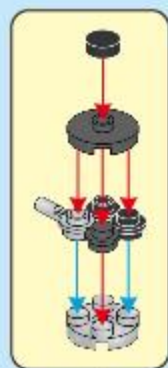
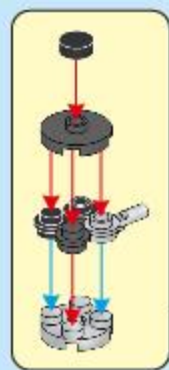
C35



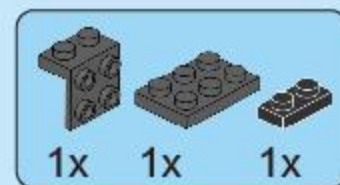
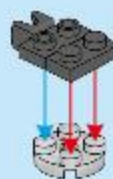




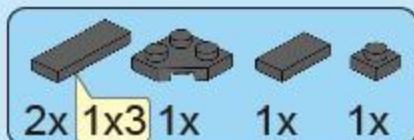
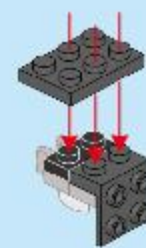
C36



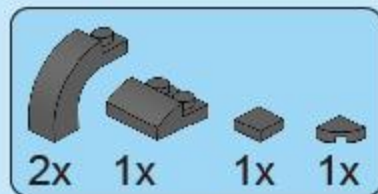
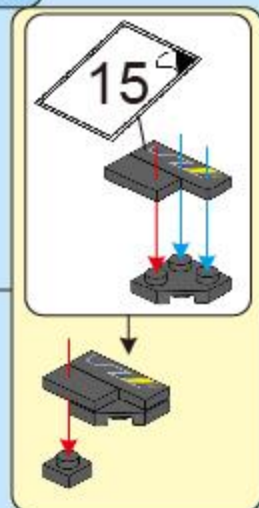
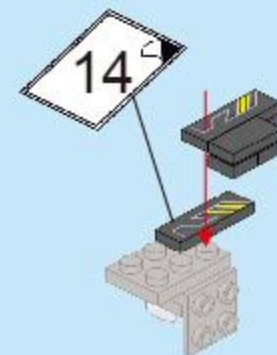
C37



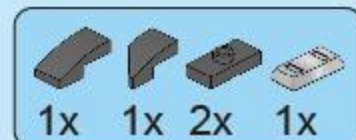
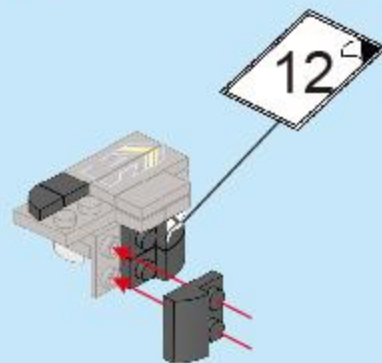
C38



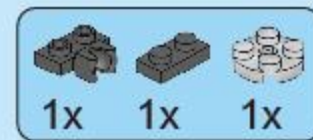
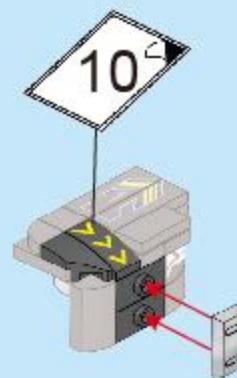
C39



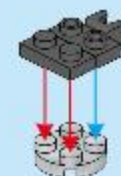
C40

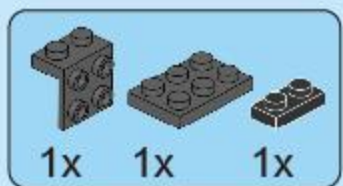


C41

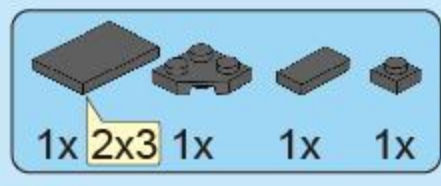


C42

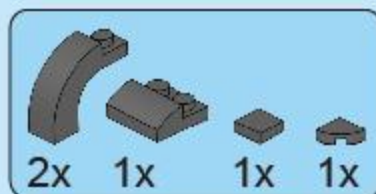
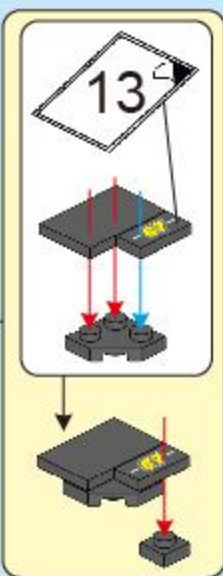
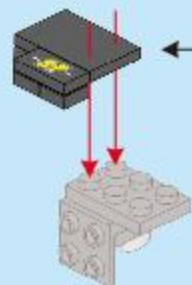




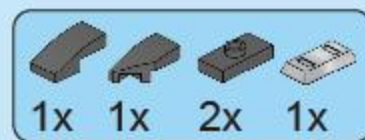
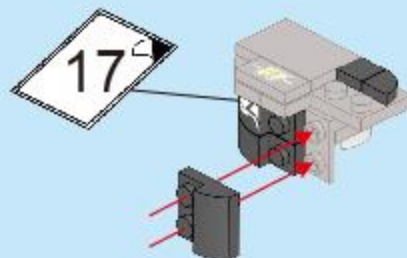
C43



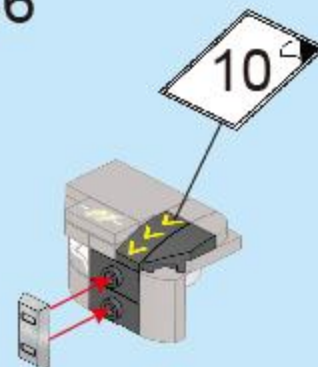
C44



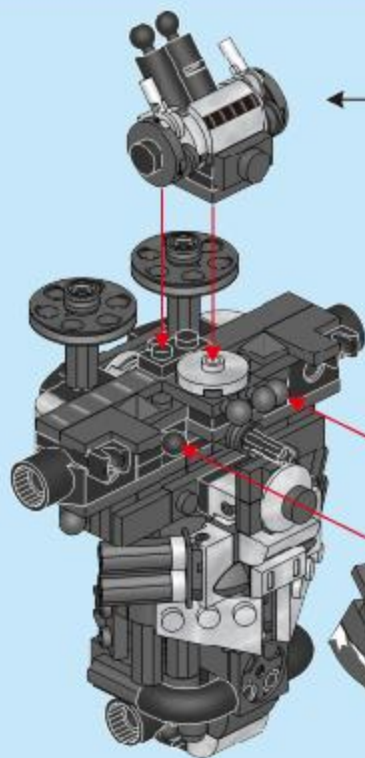
C45



C46



C47



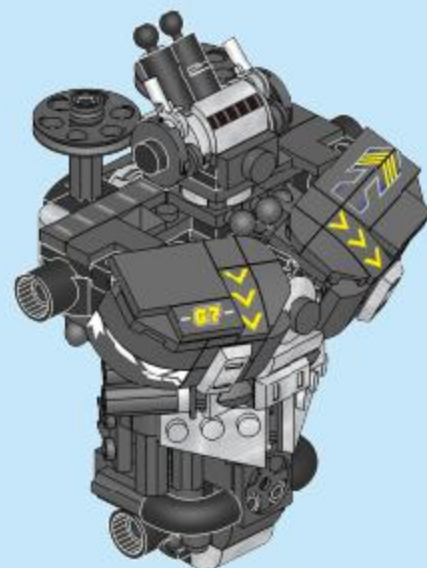
C36

C31

C41

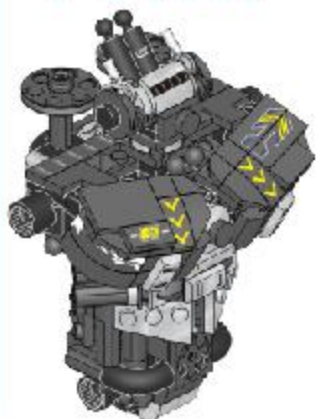
C46

C

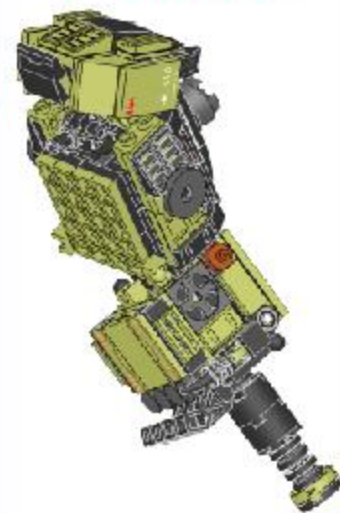




FC1037



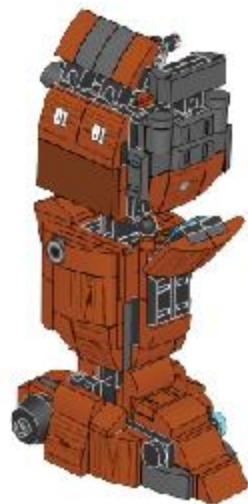
FC1040



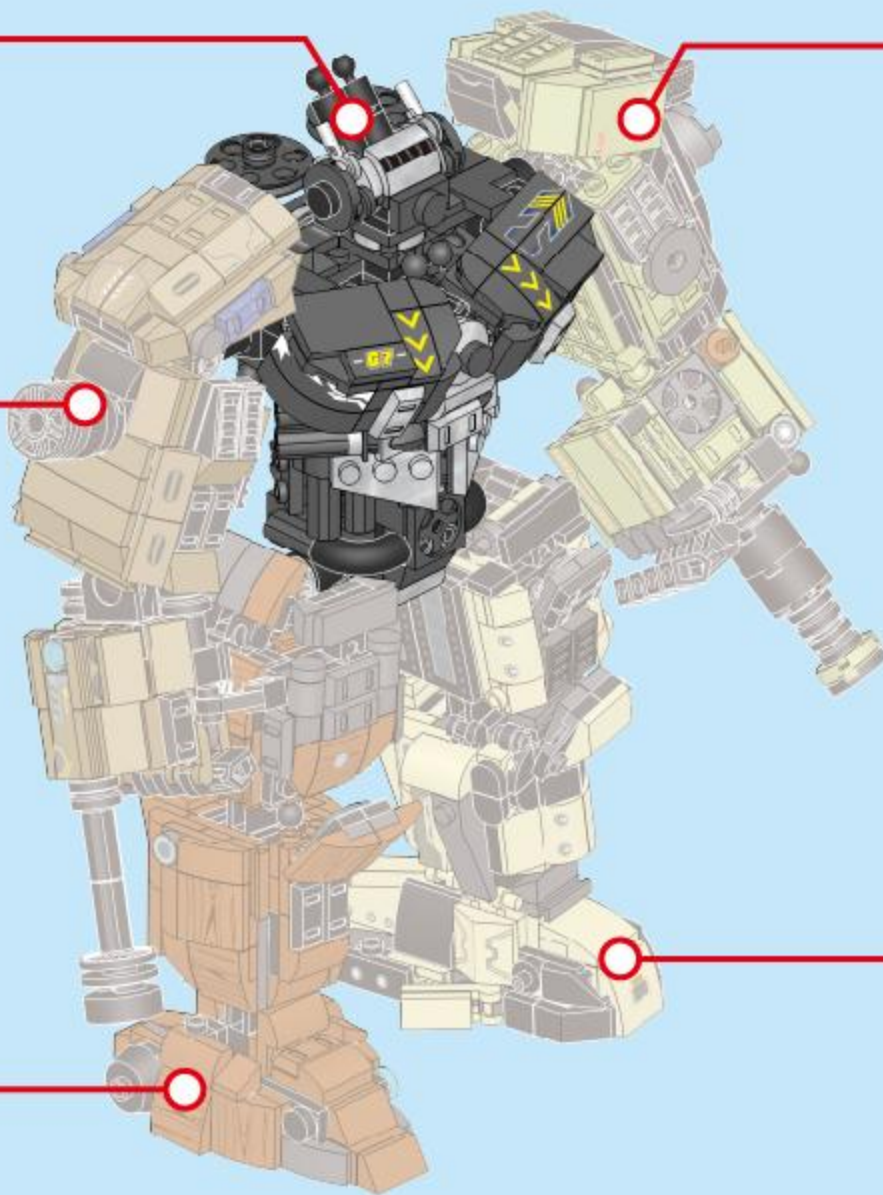
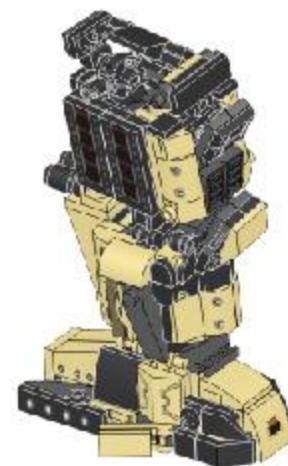
FC1036



FC1038



FC1039







A large, grey and black LEGO Technic robot stands in a warehouse-like environment. The robot has a glowing yellow light on its head and is holding a large, multi-barreled weapon. In the background, there are cardboard boxes with some text and bullet holes in the wall. The robot's body is composed of various Technic parts, including beams, pins, and connectors. It has a complex, mechanical appearance with many joints and moving parts. The overall scene is set on a wooden floor.

**2 IN 1**  
TRANSFORMS



**COLLECT 5 MODELS**  
TO COMBINE RELOADED BERSERK