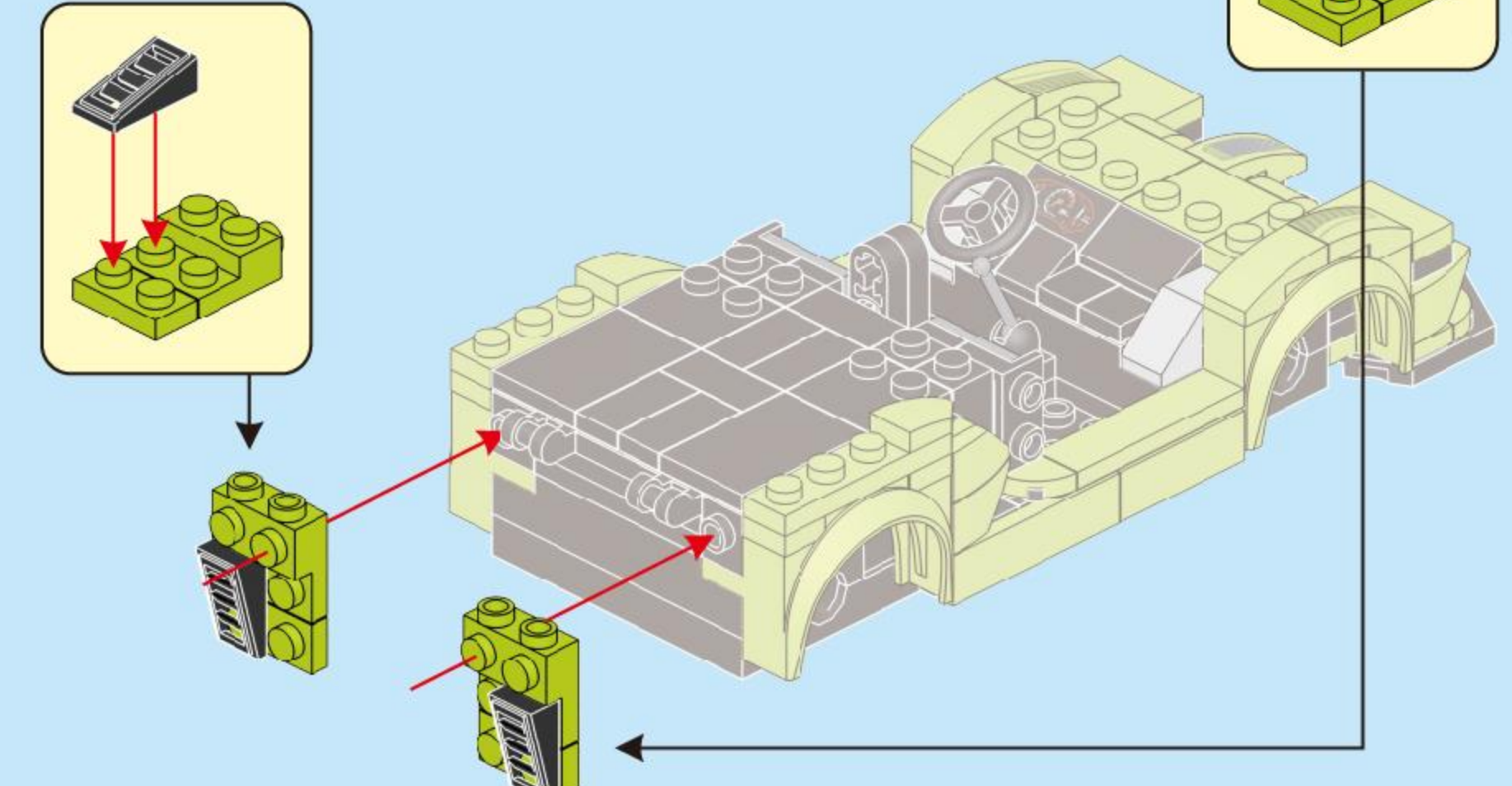
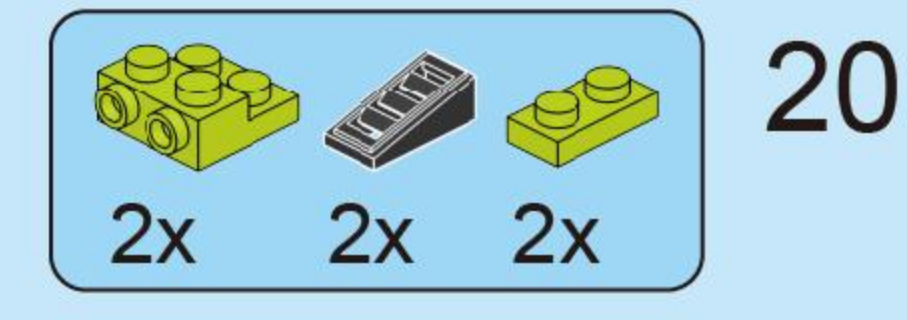
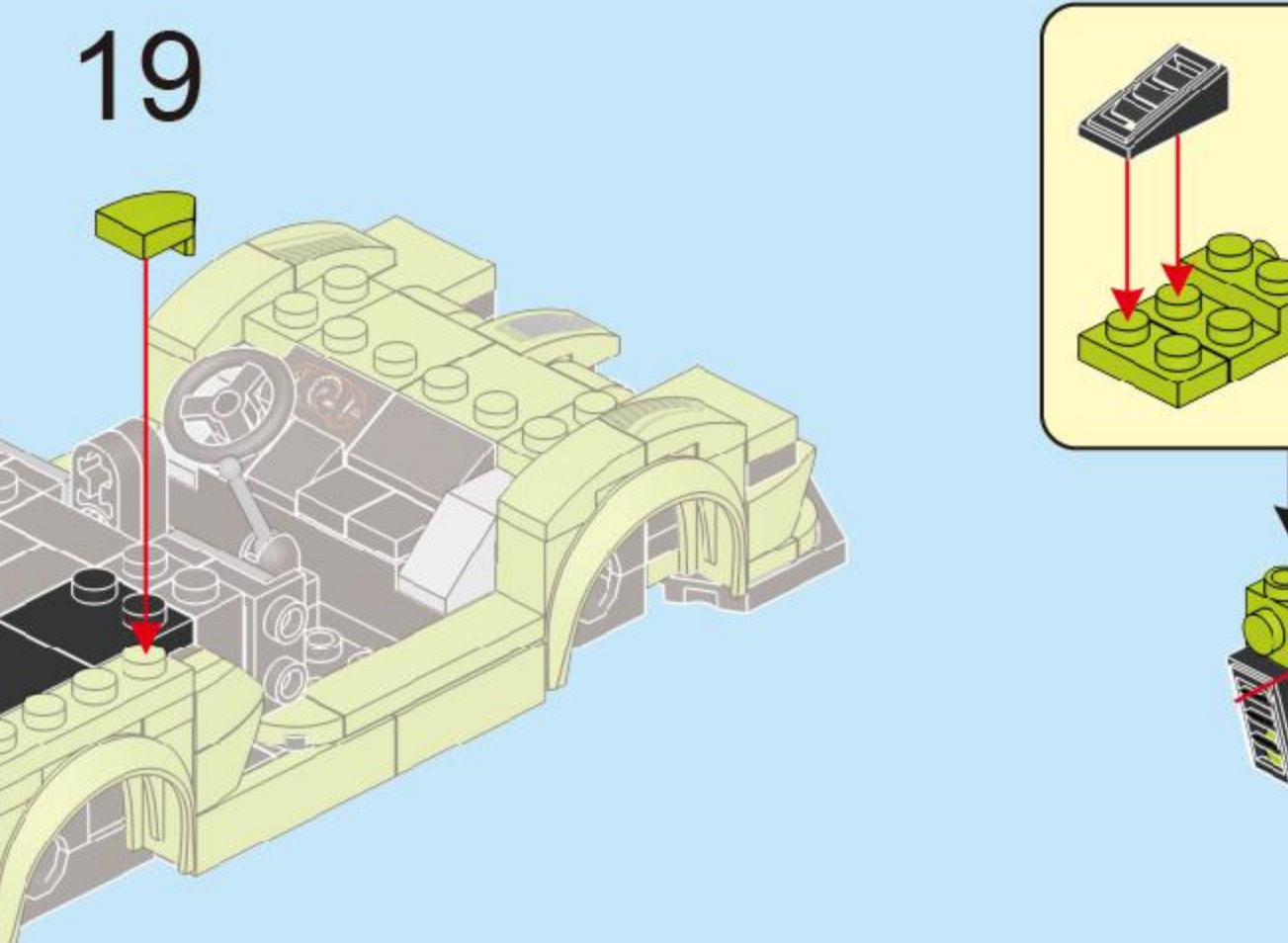
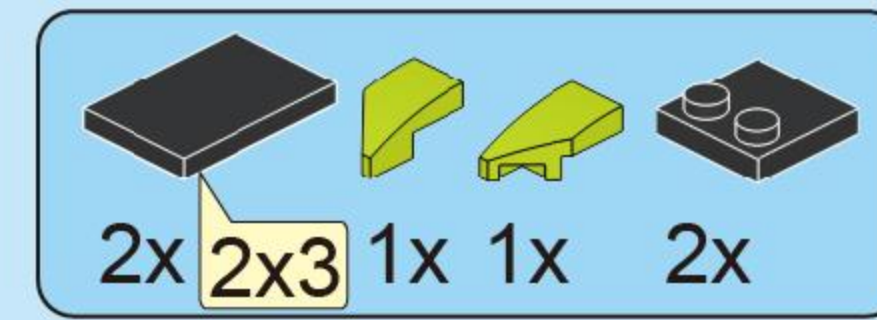
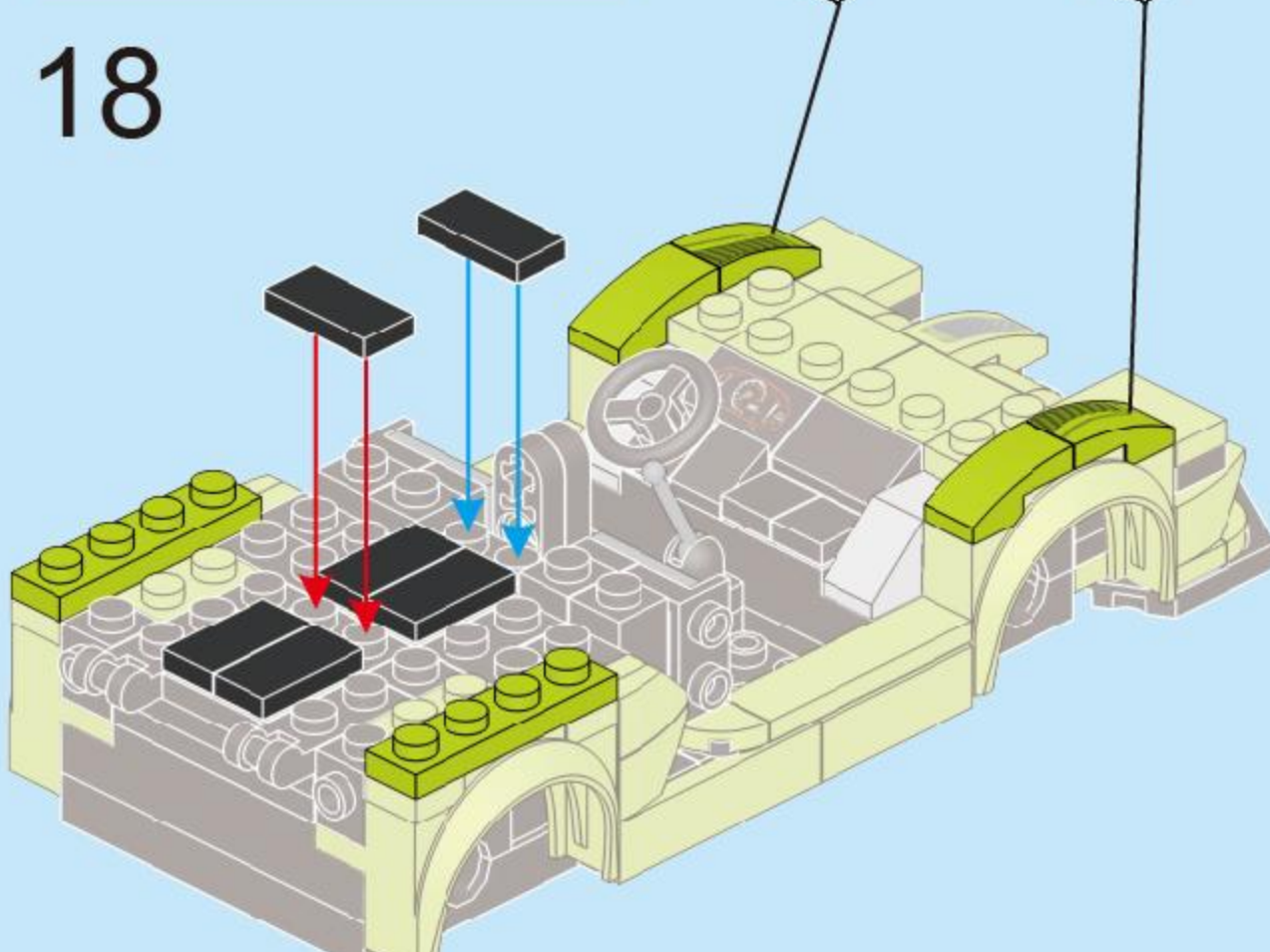
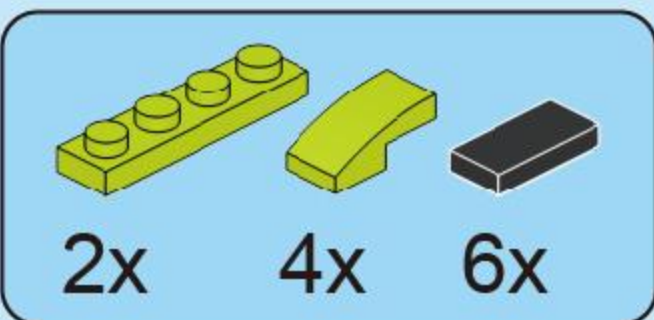
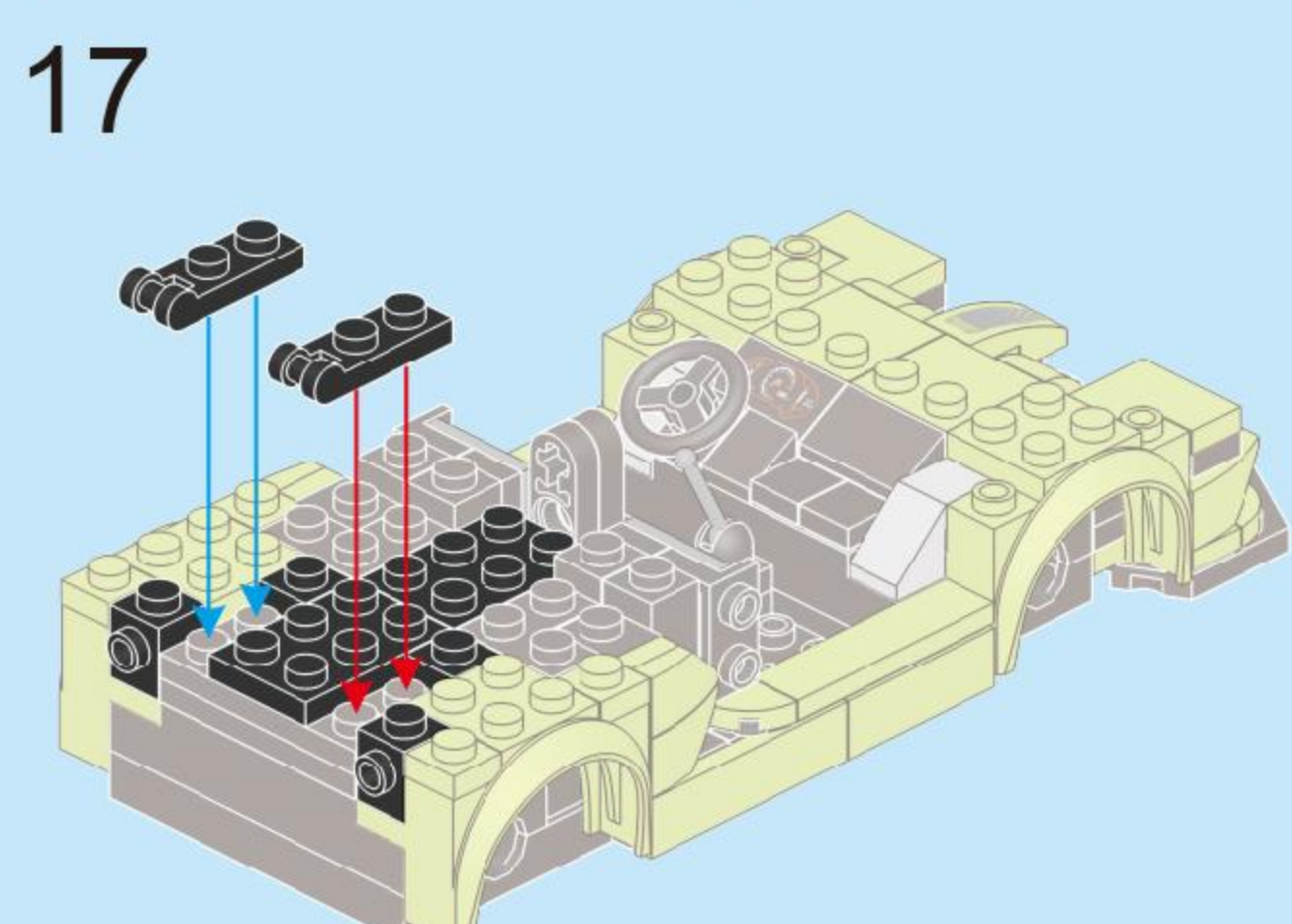
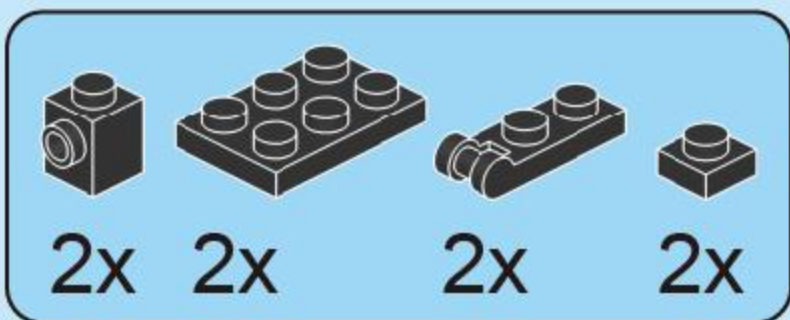
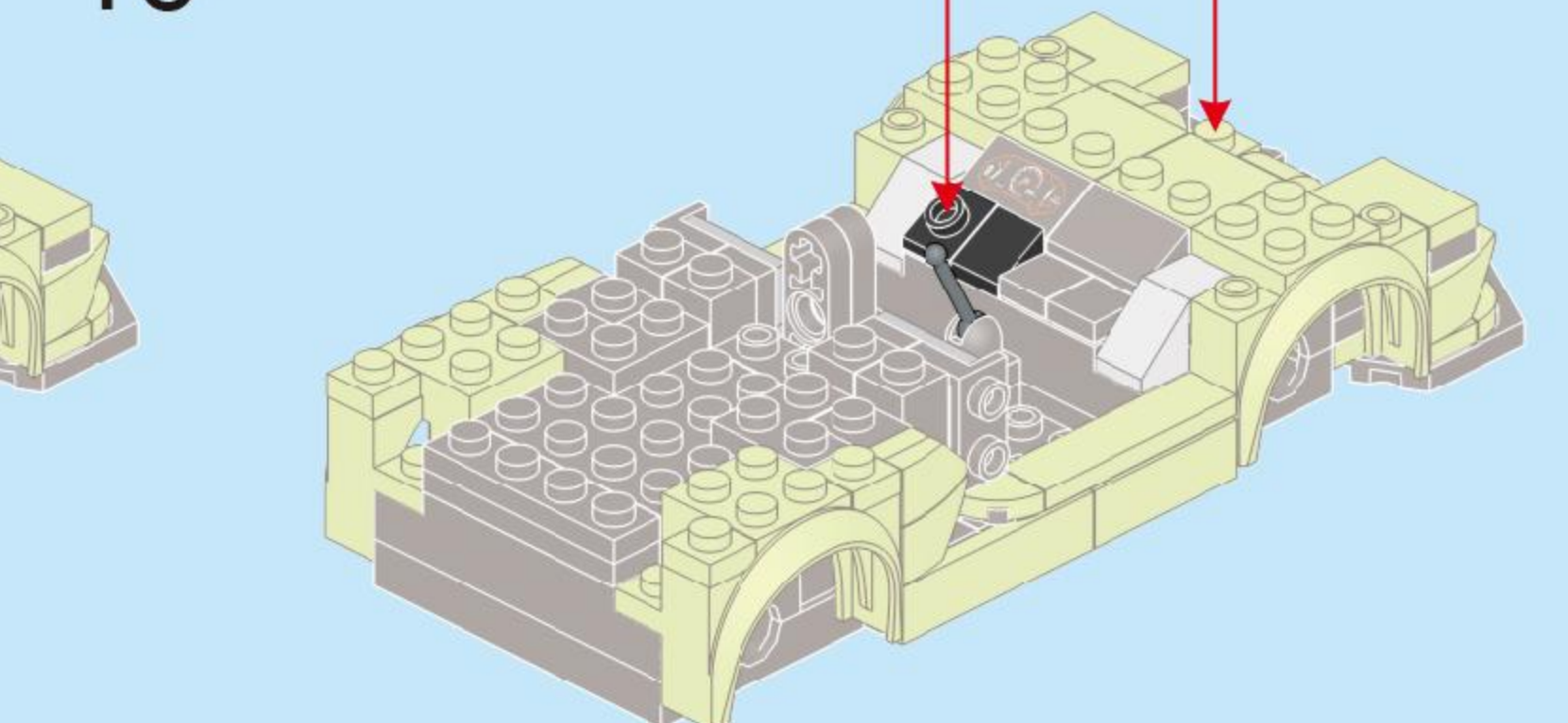
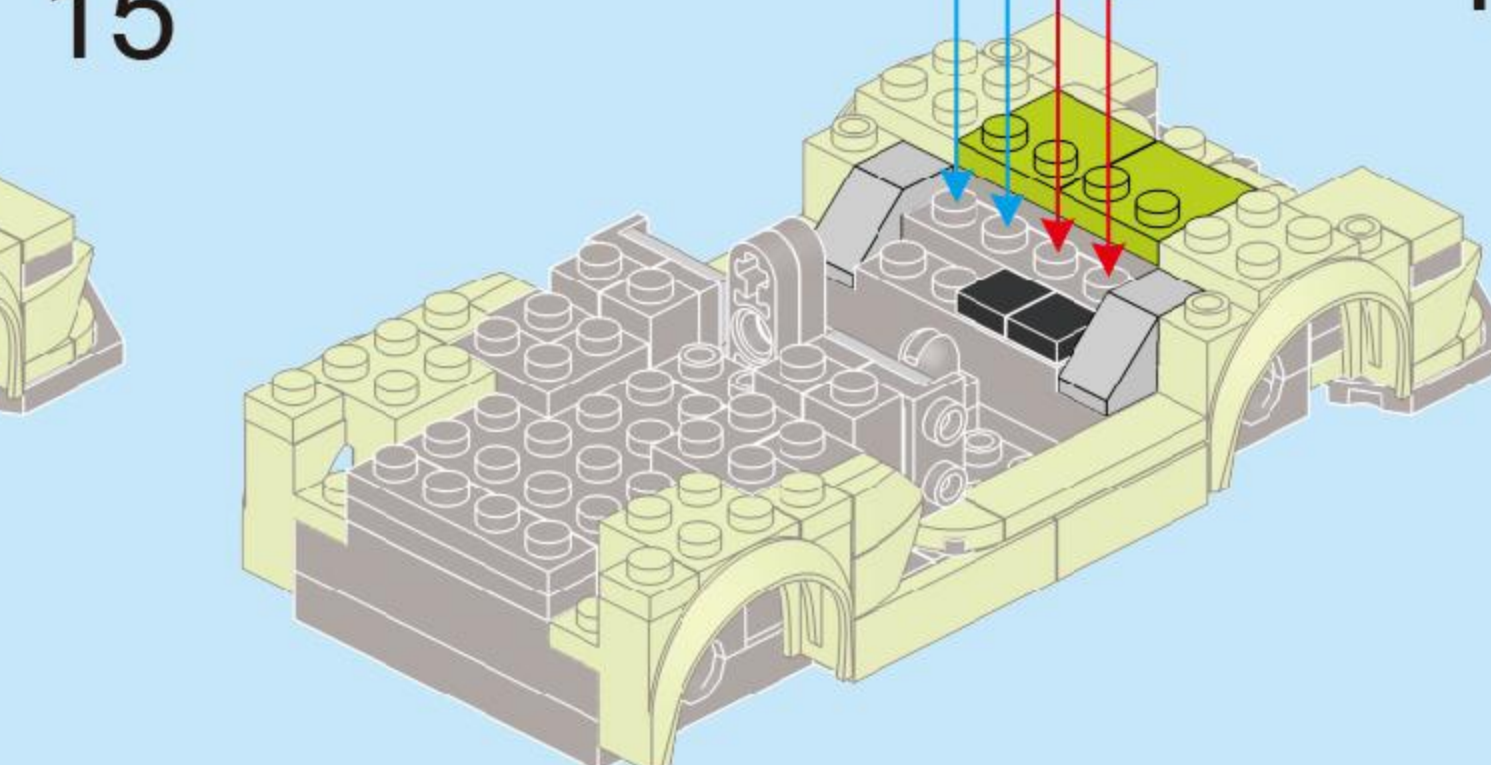
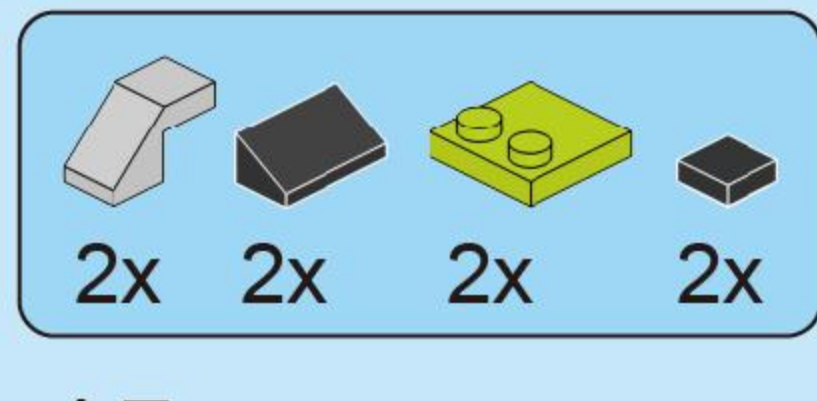
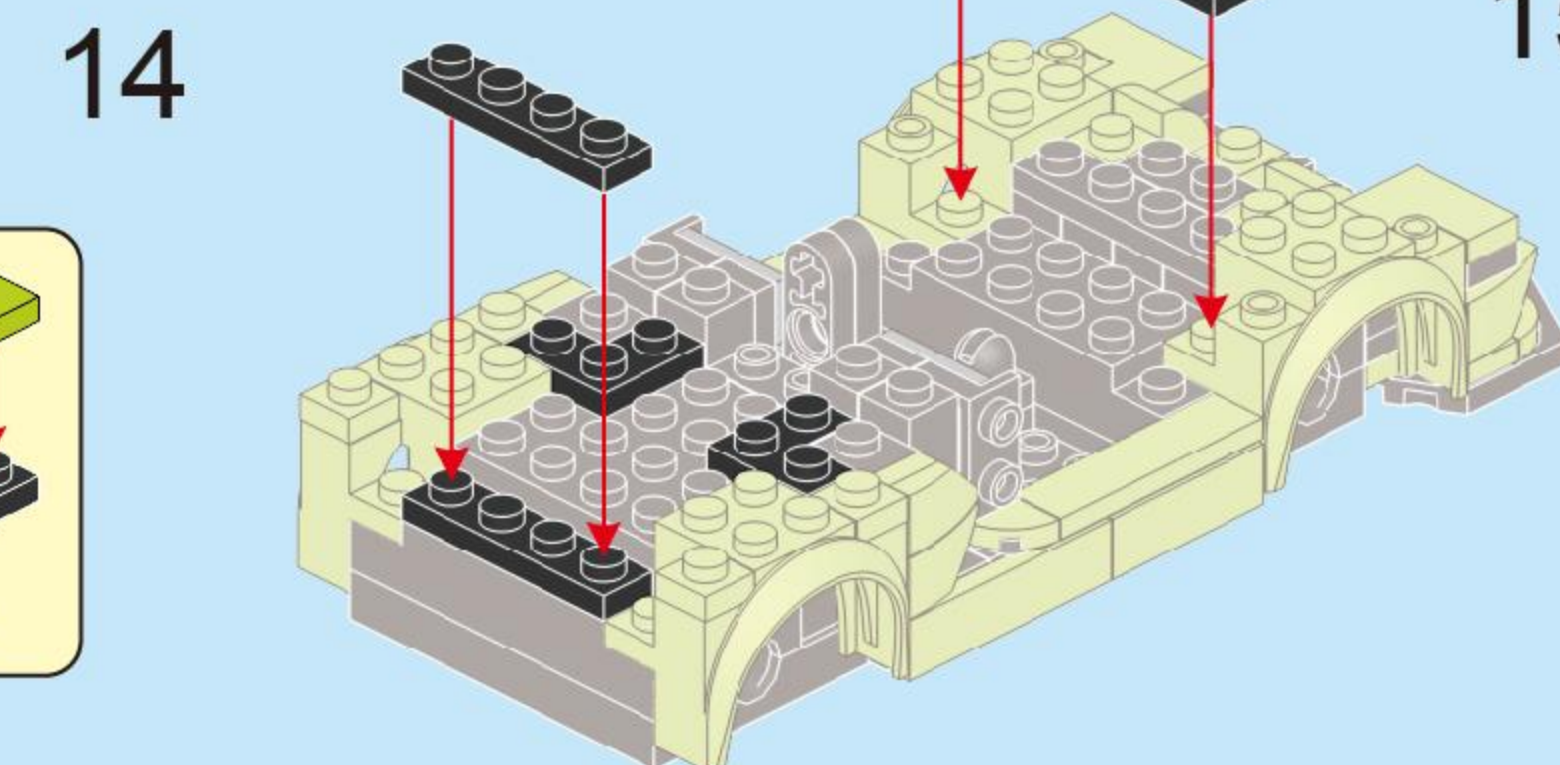
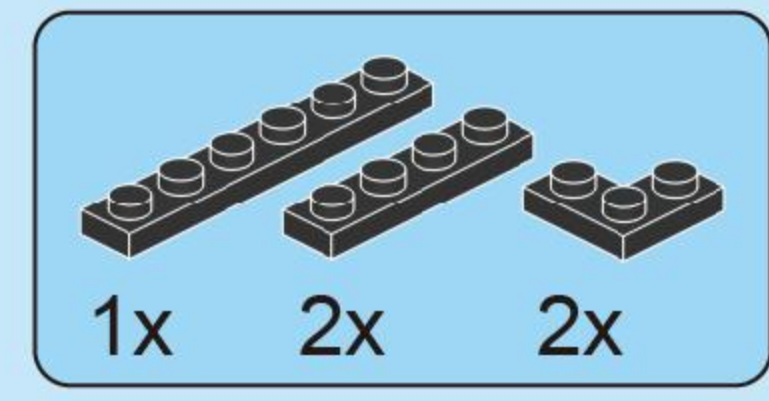
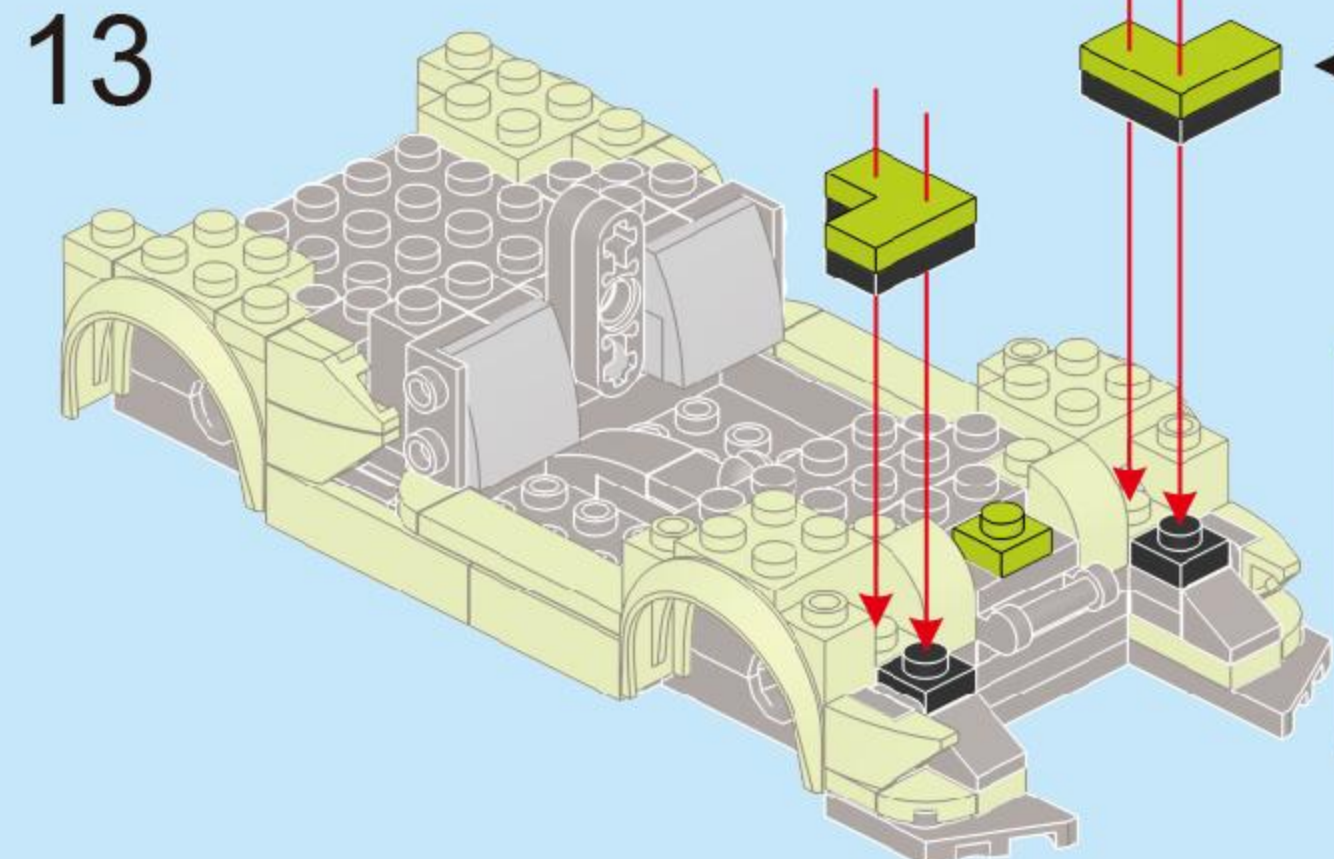
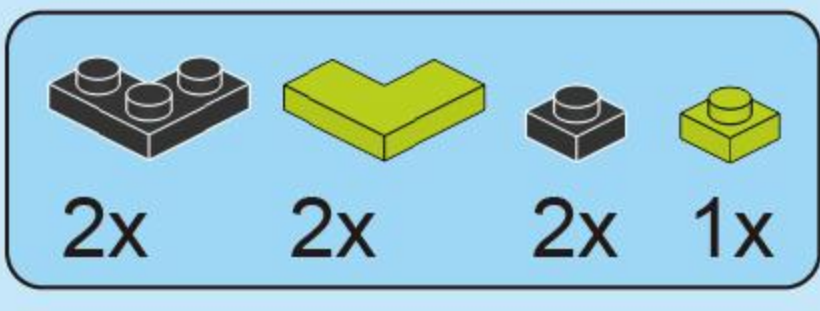
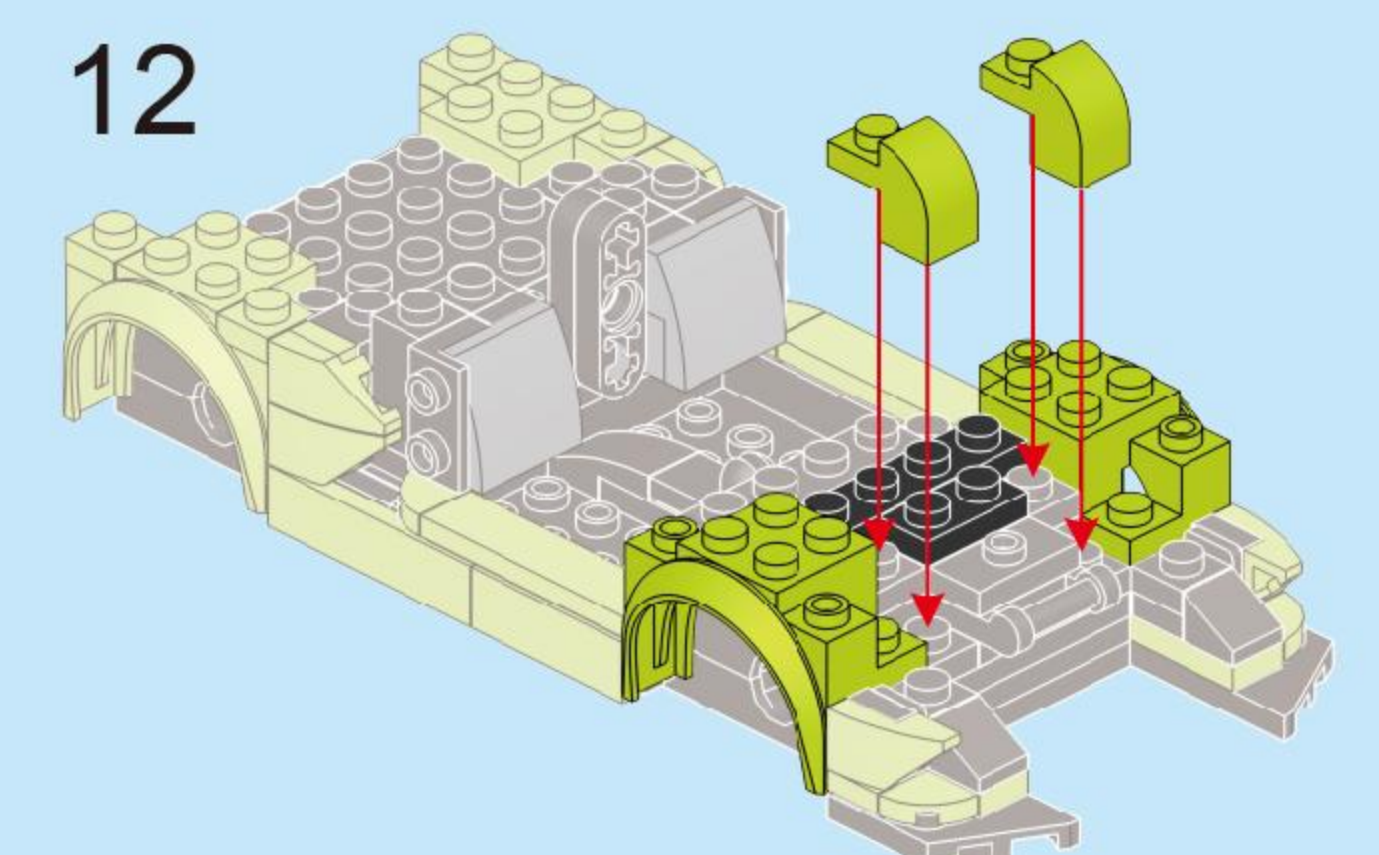
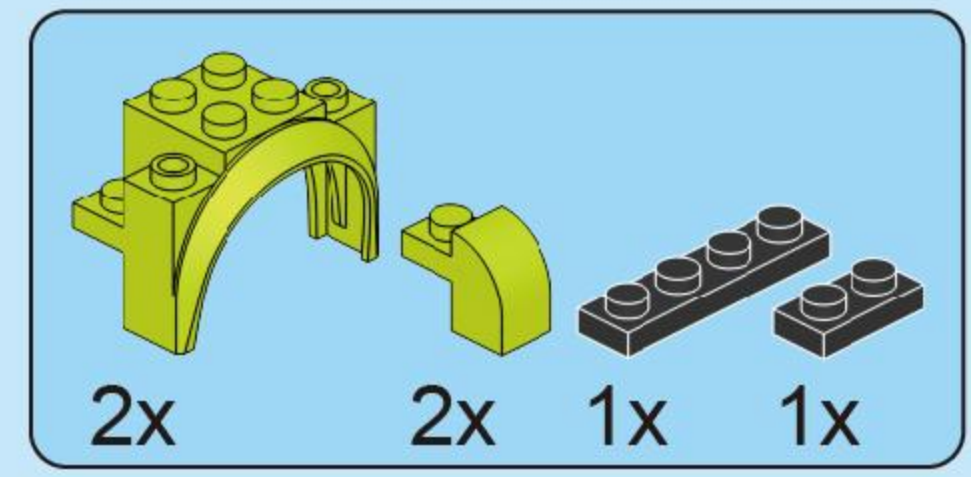
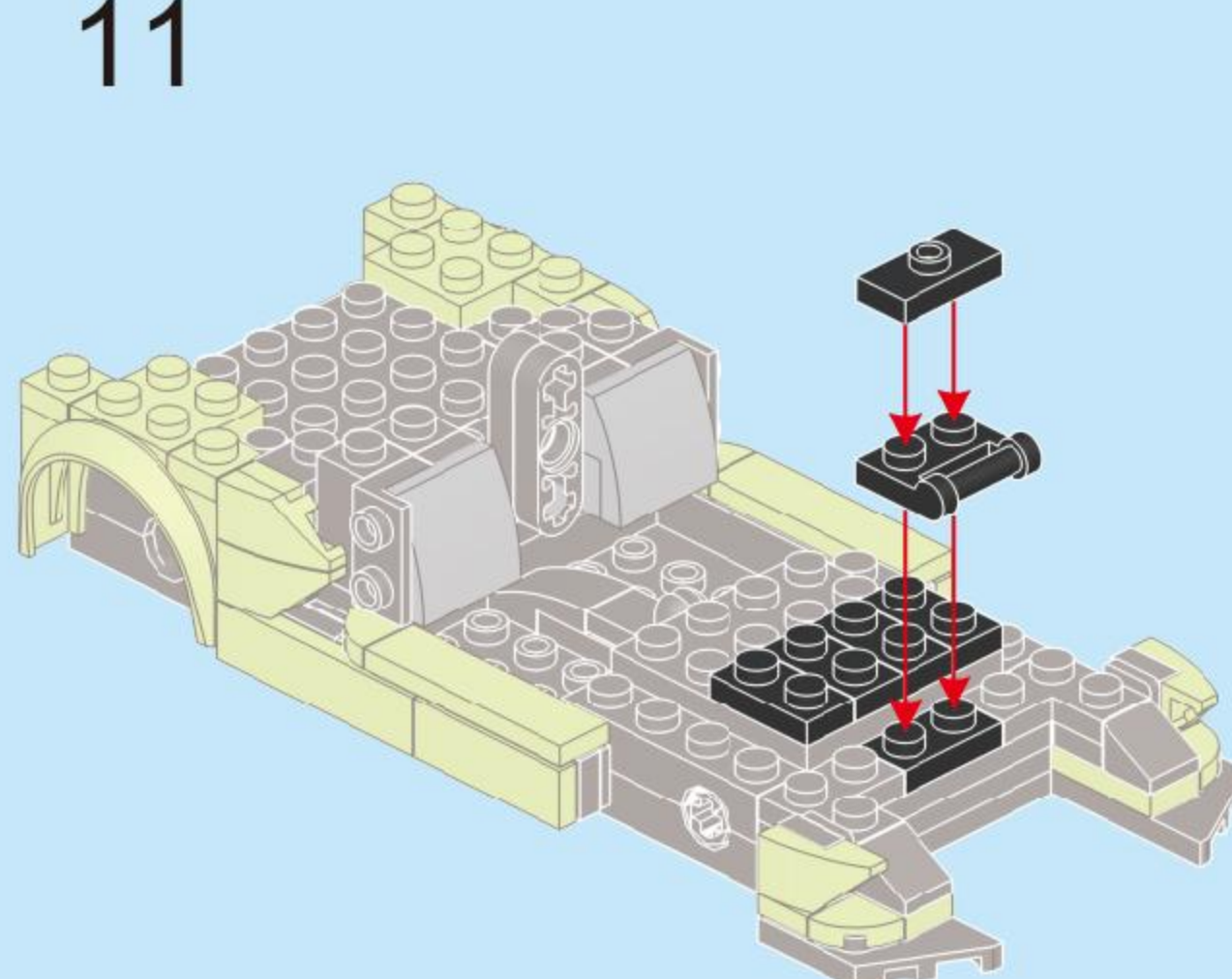
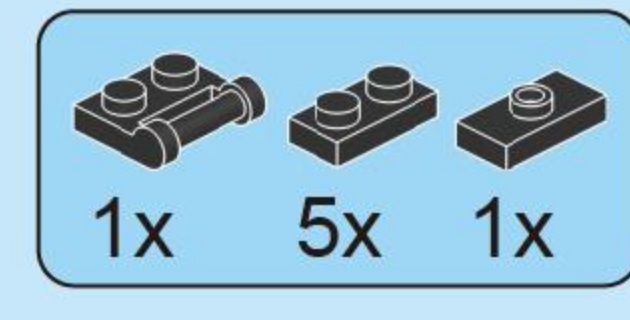
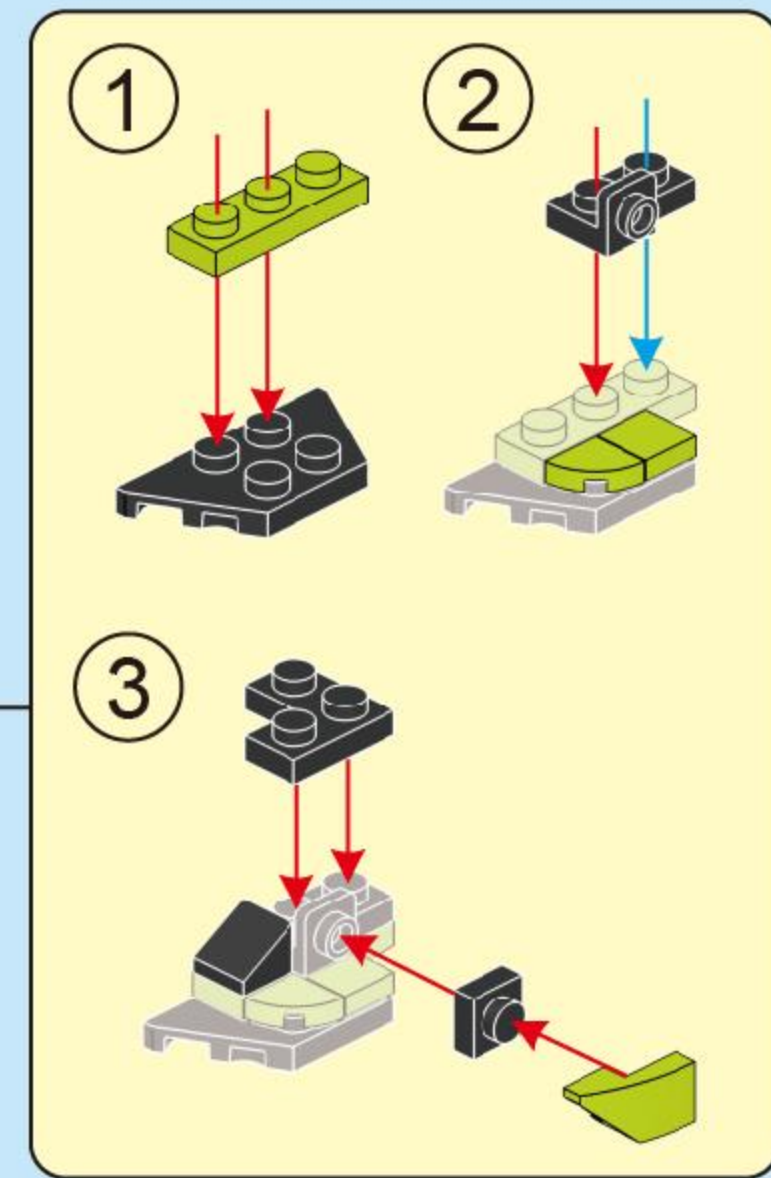
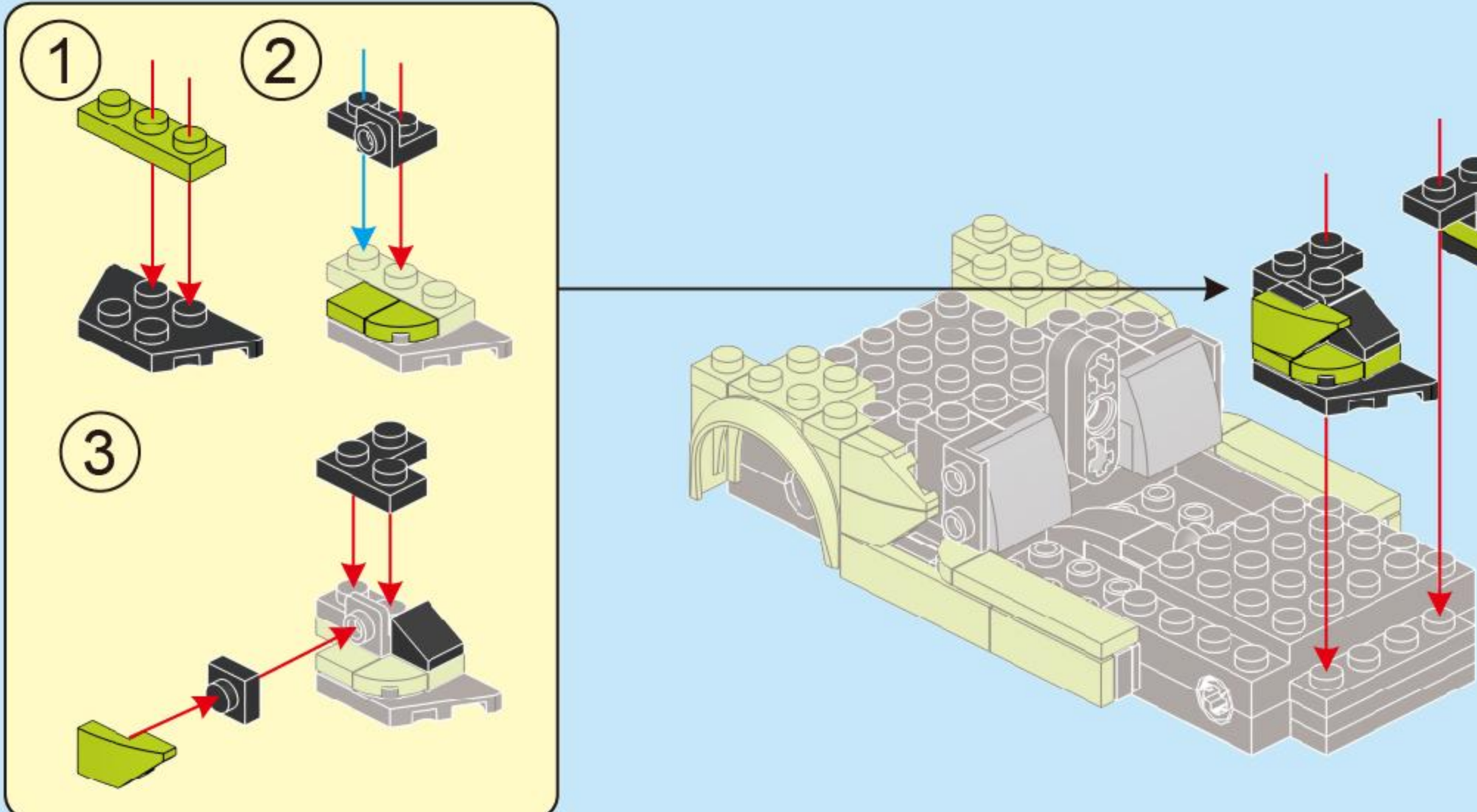
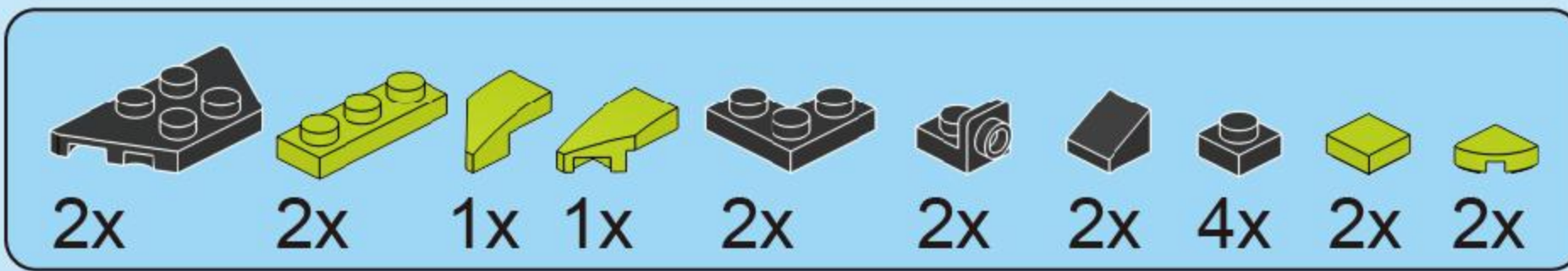
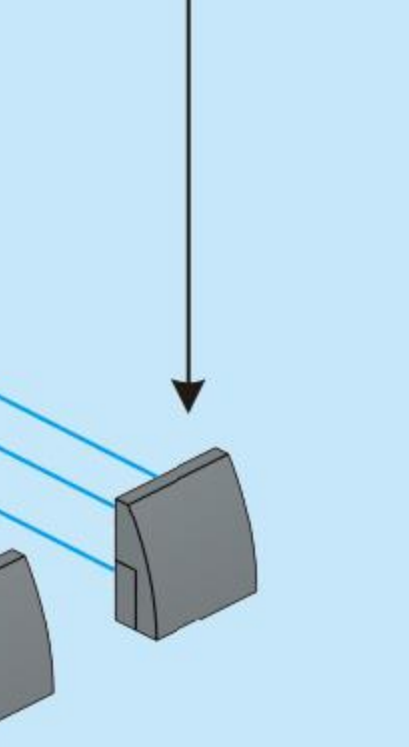
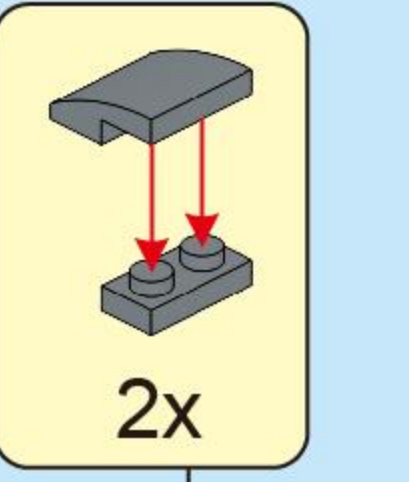
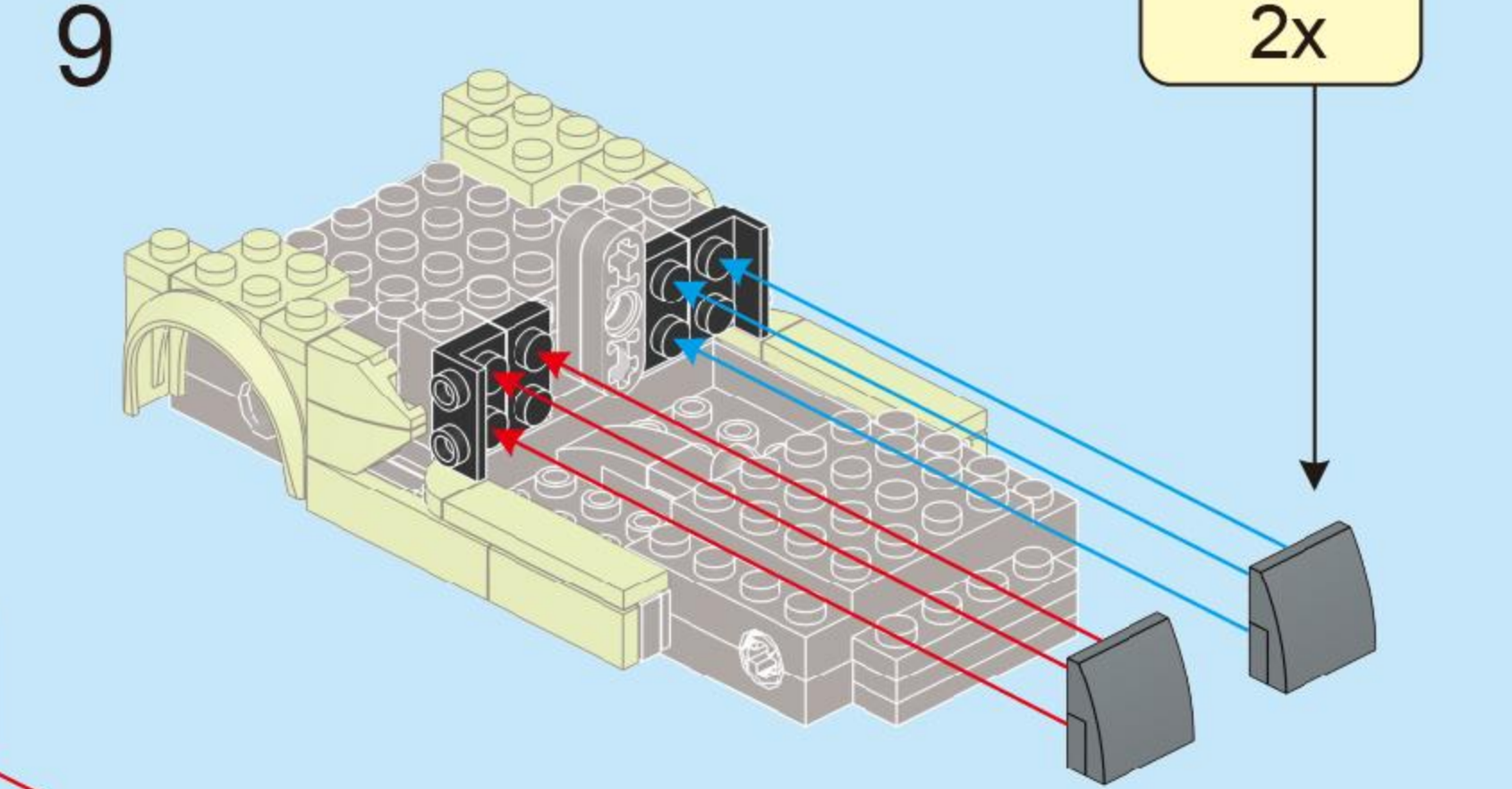
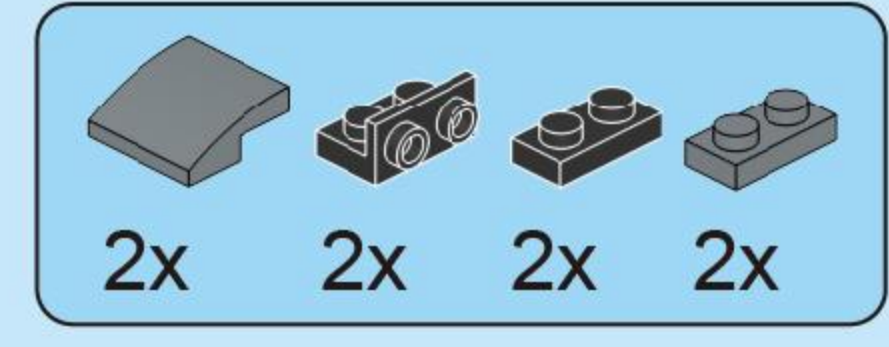
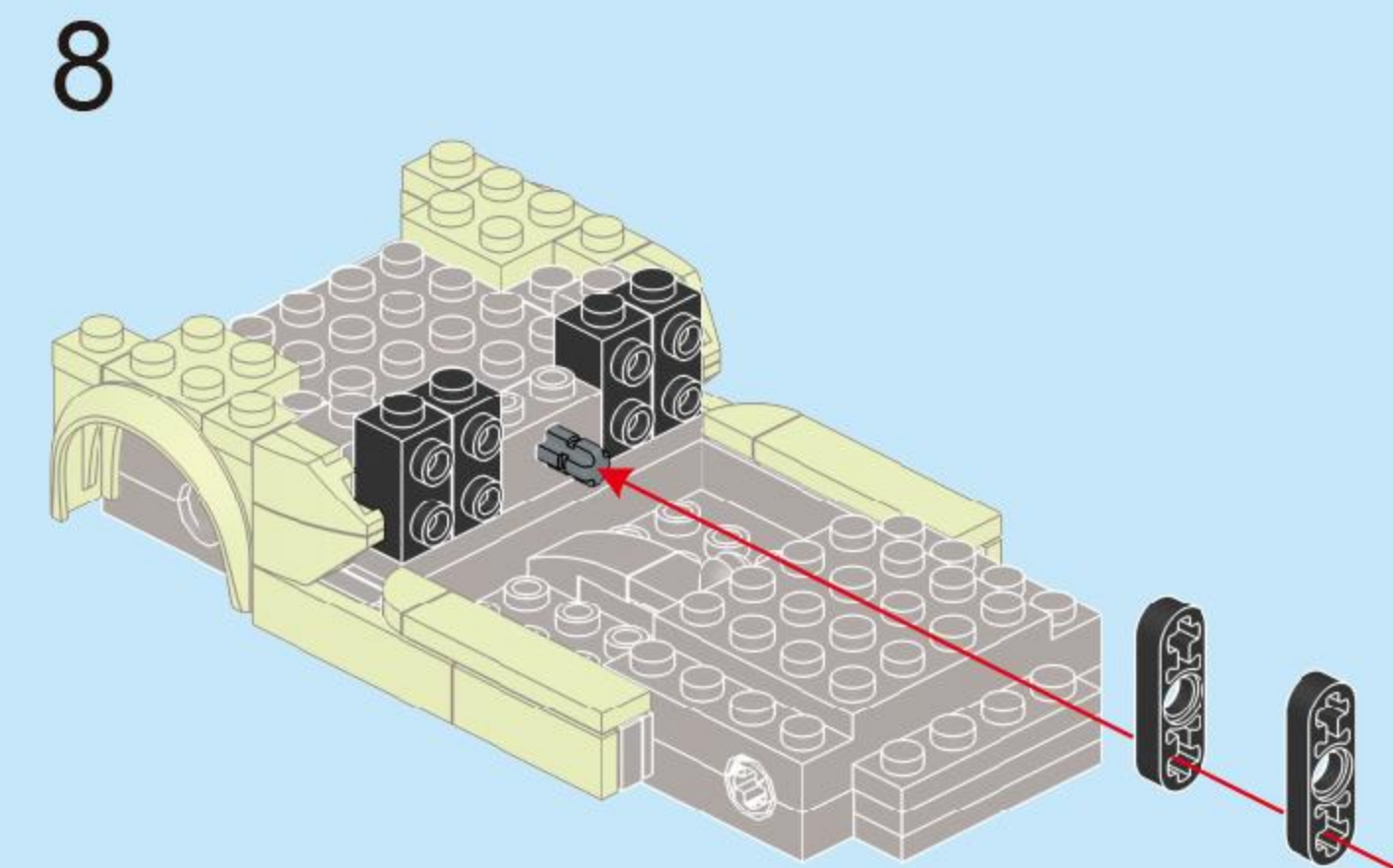
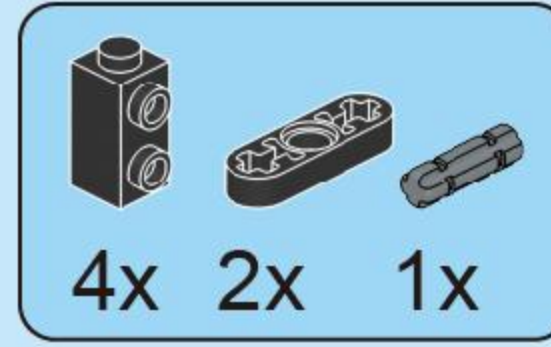
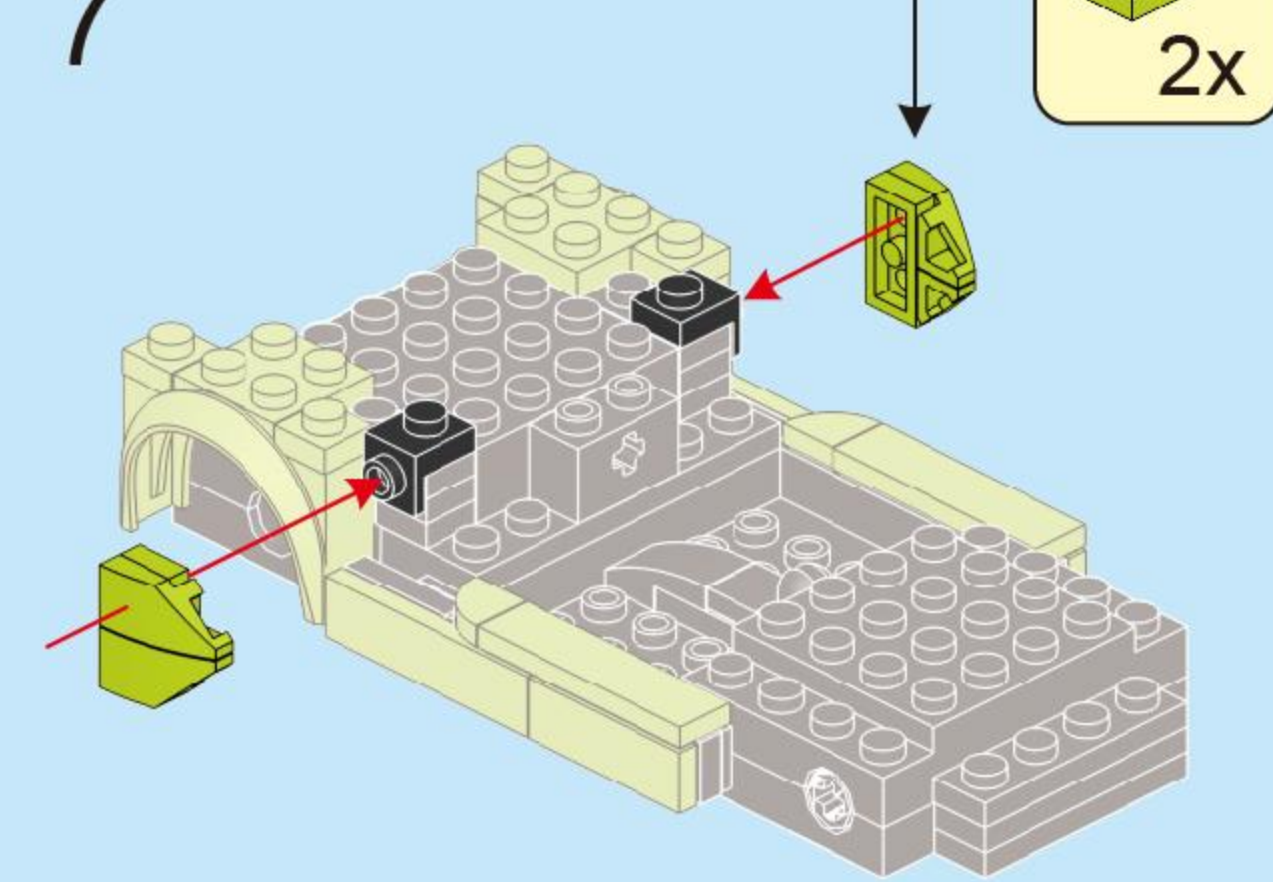
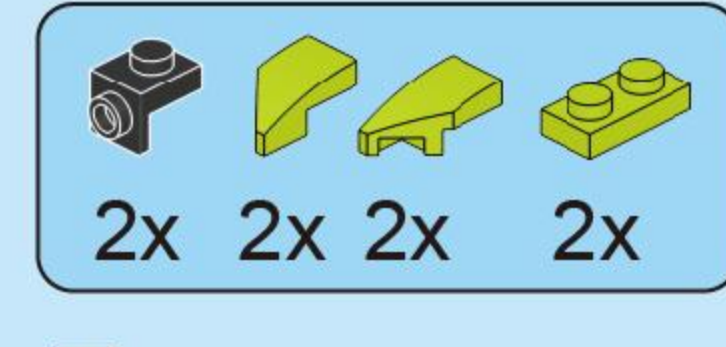
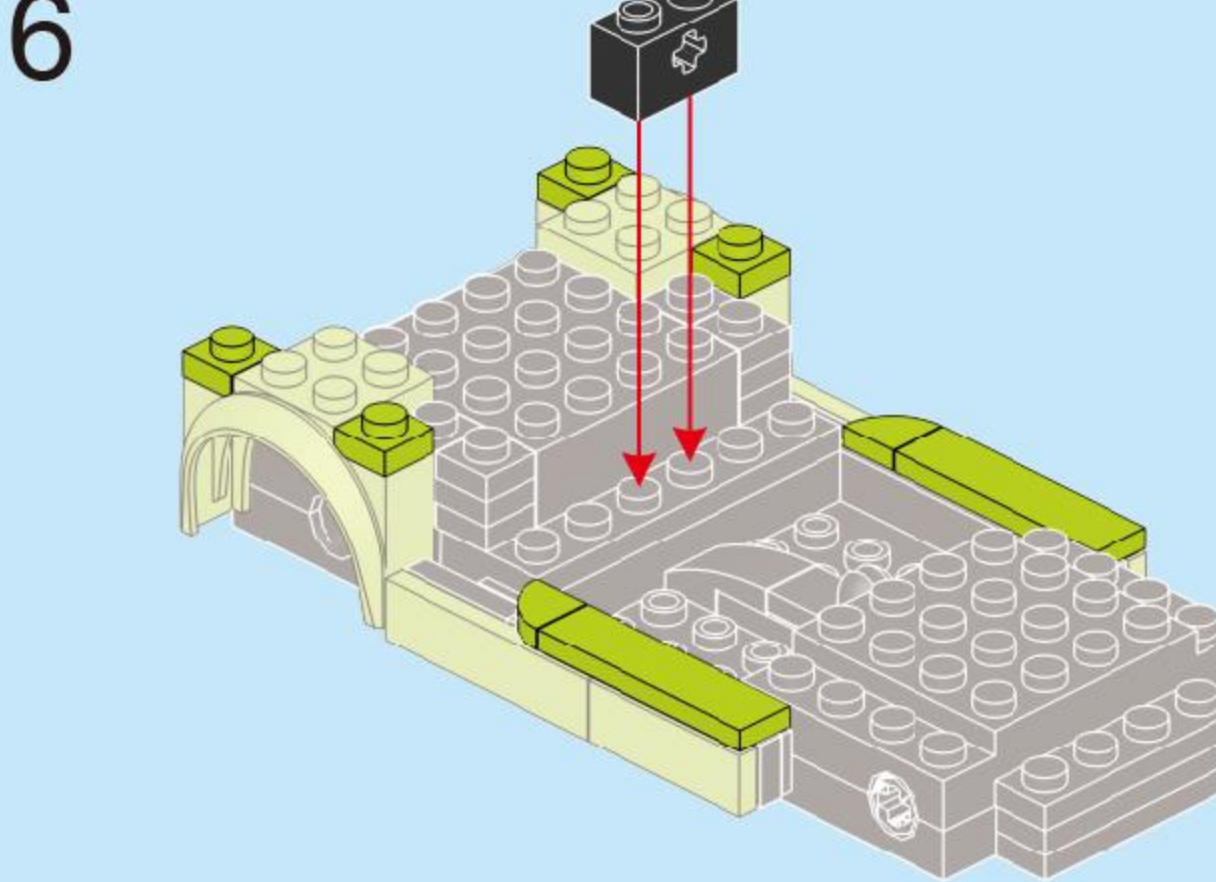
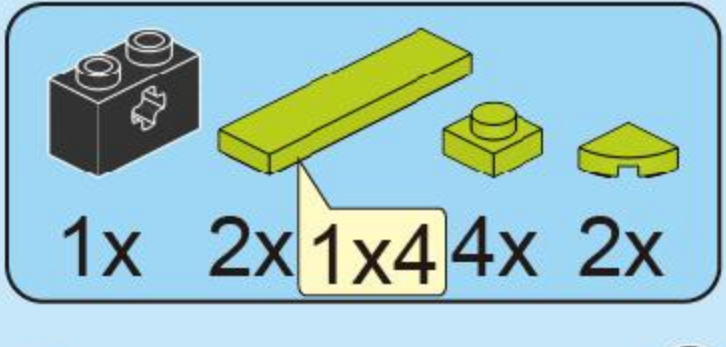
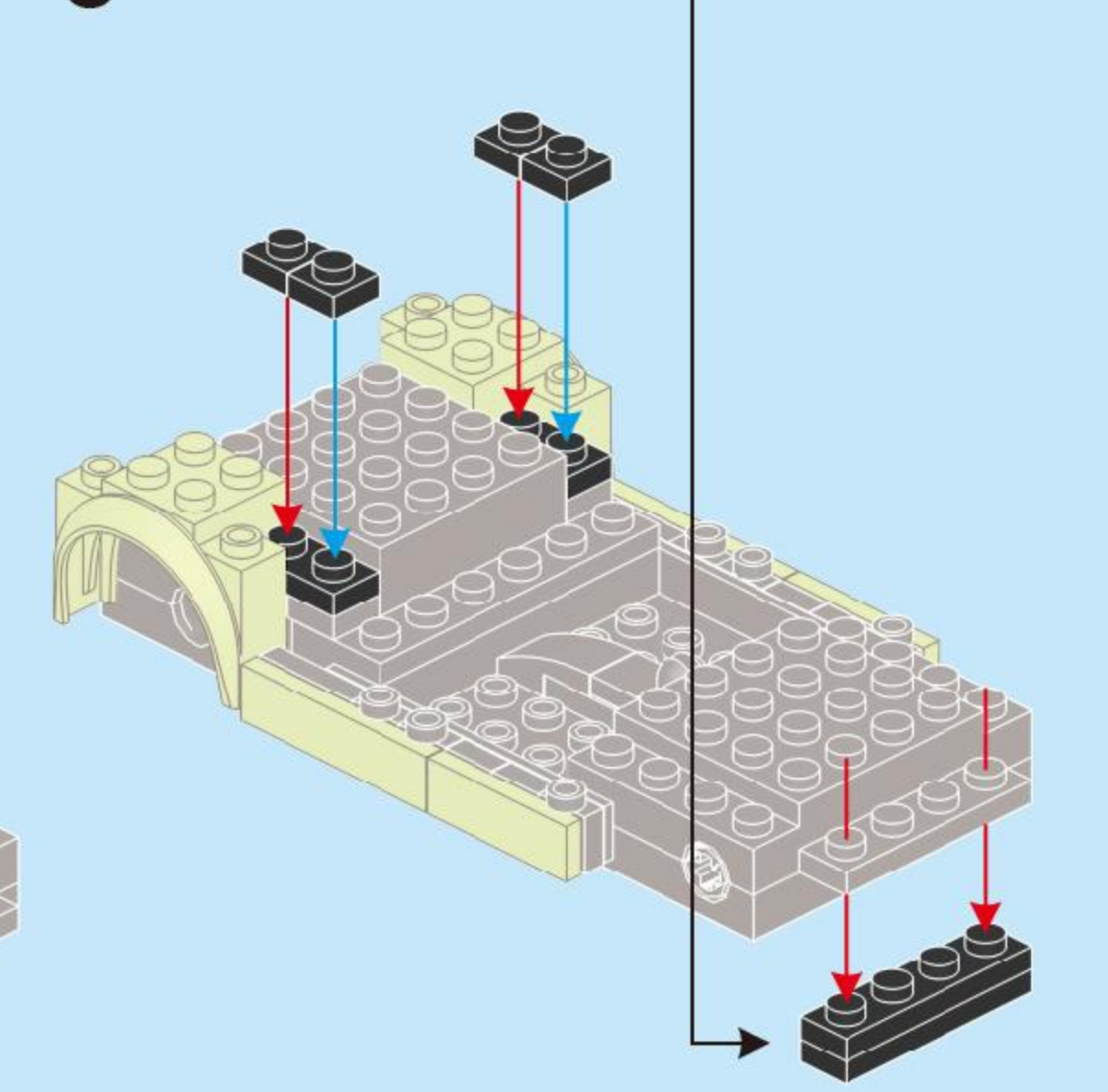
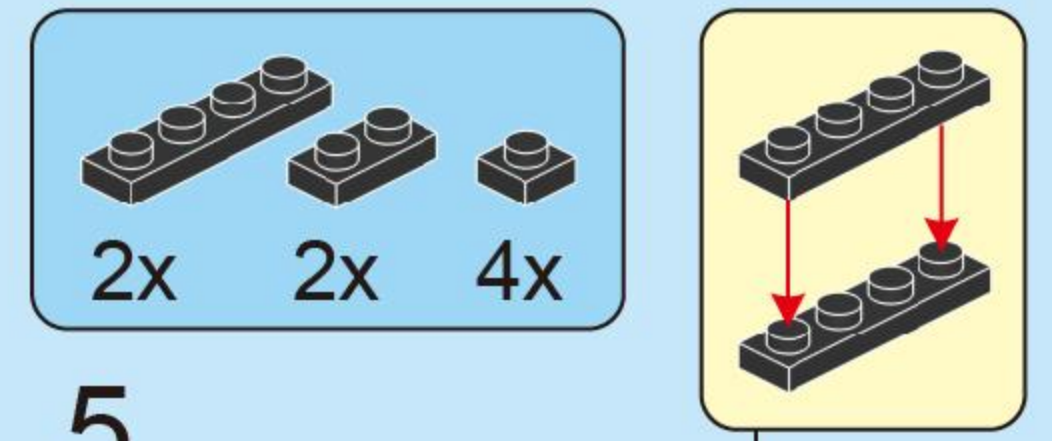
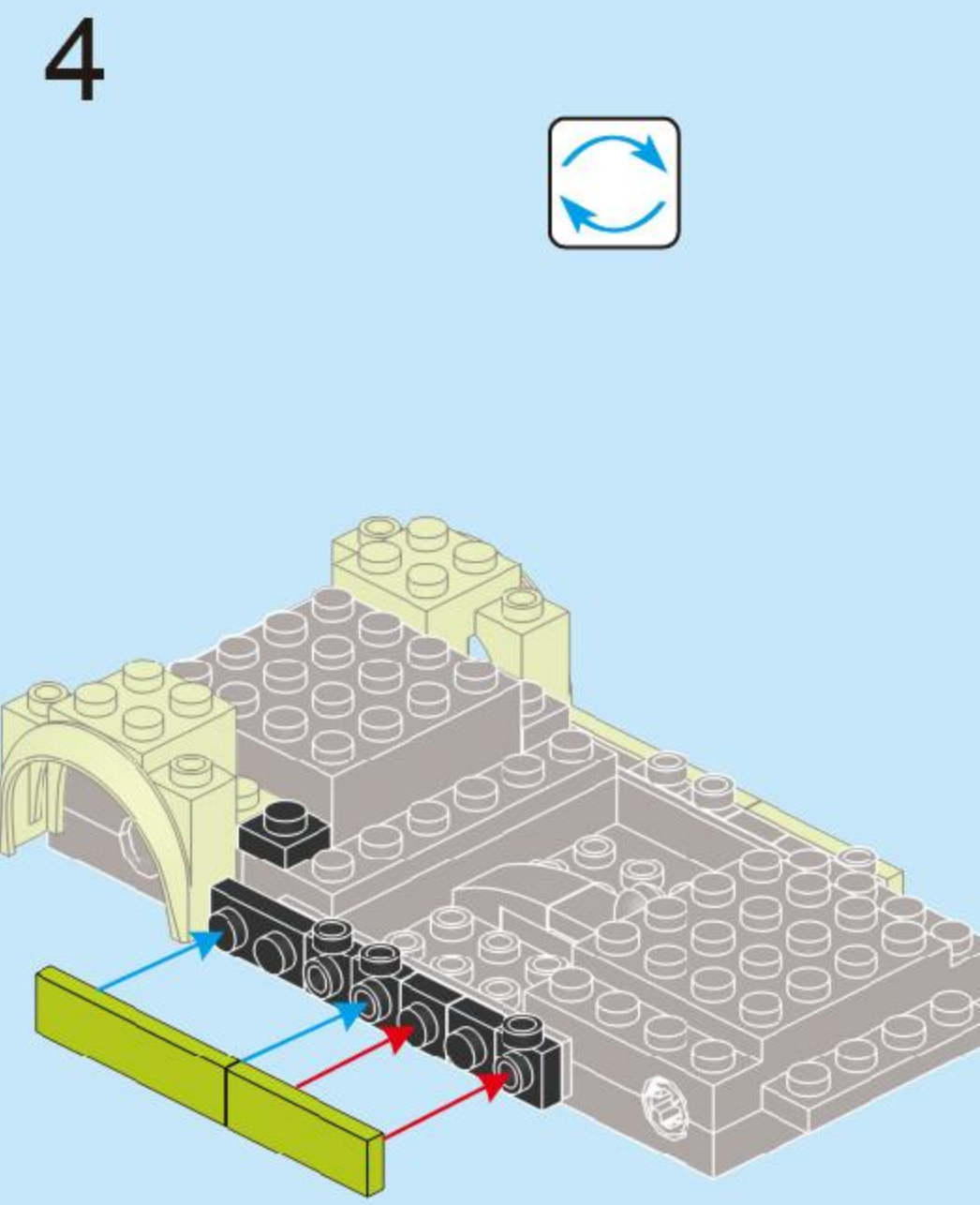
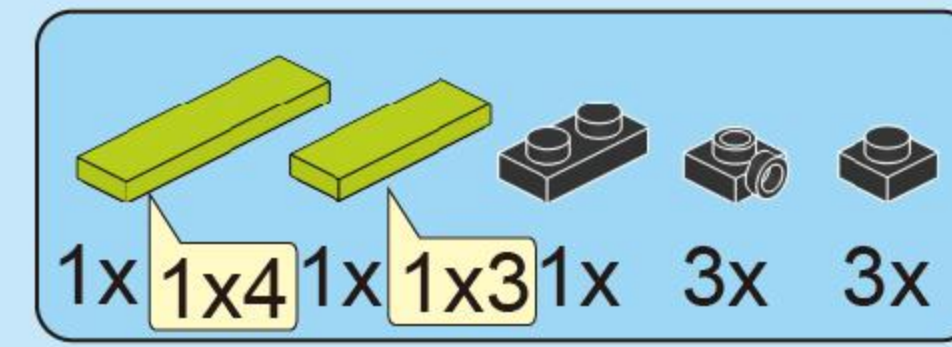
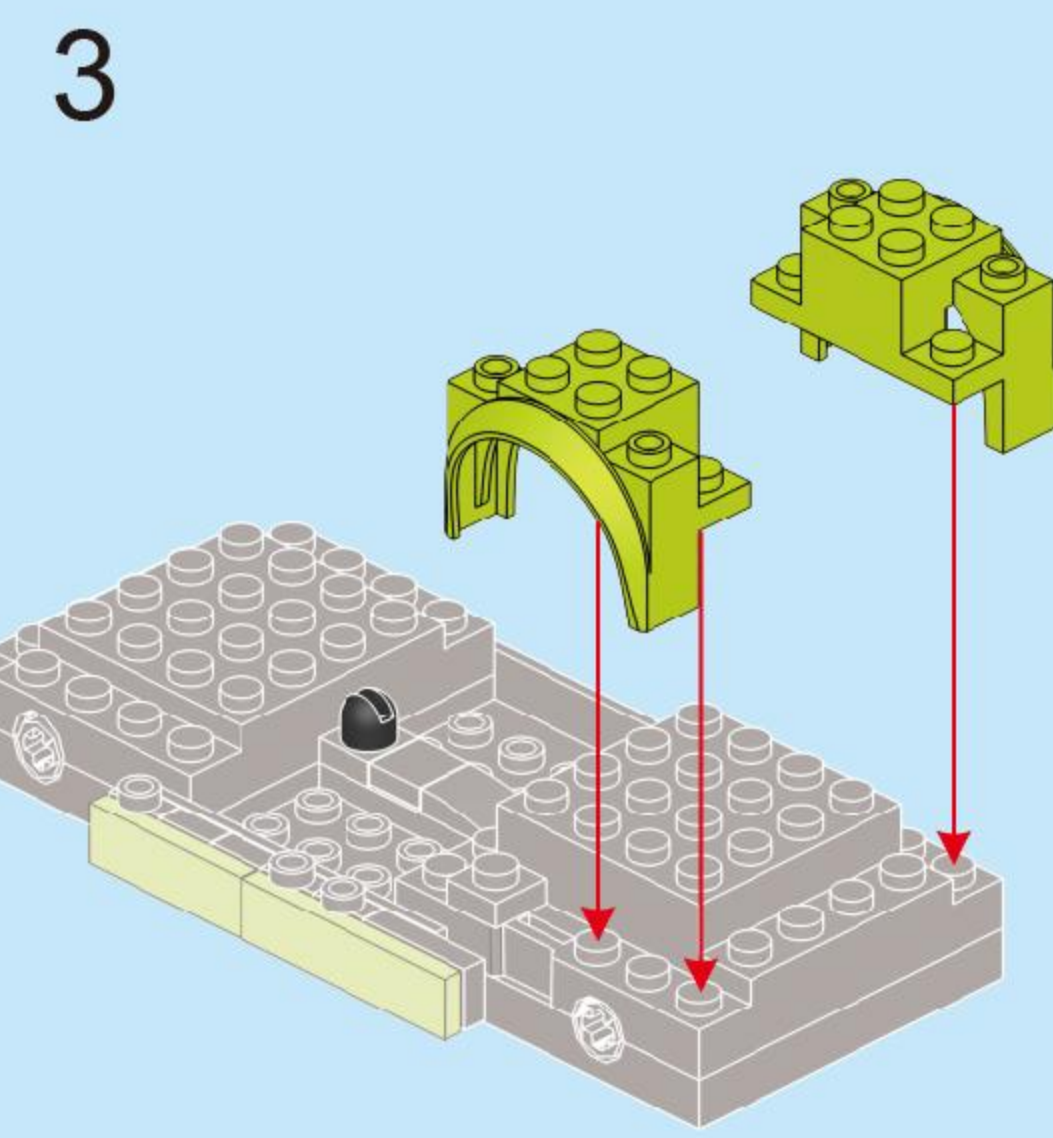
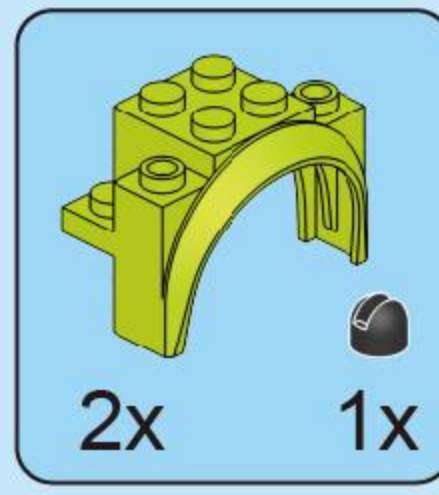
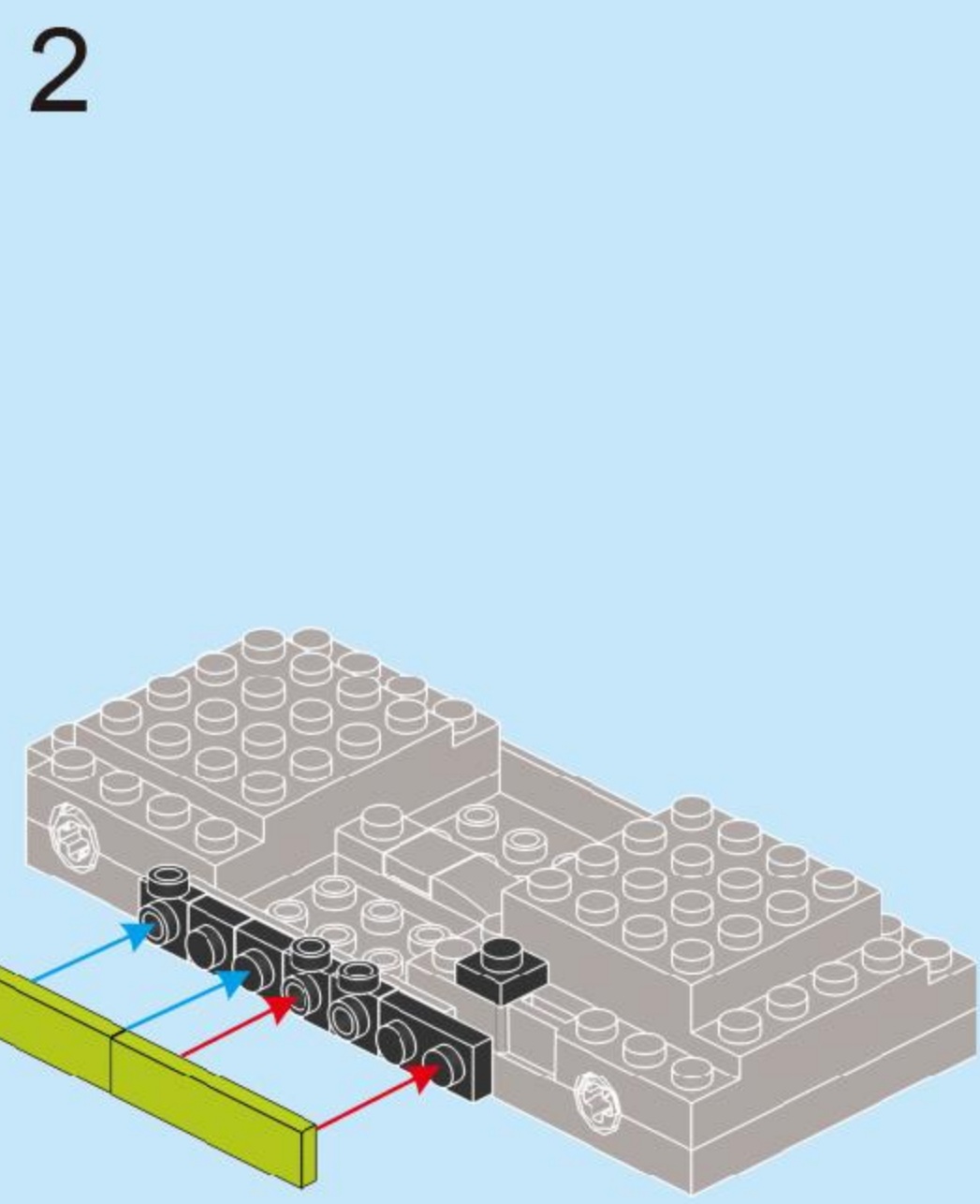
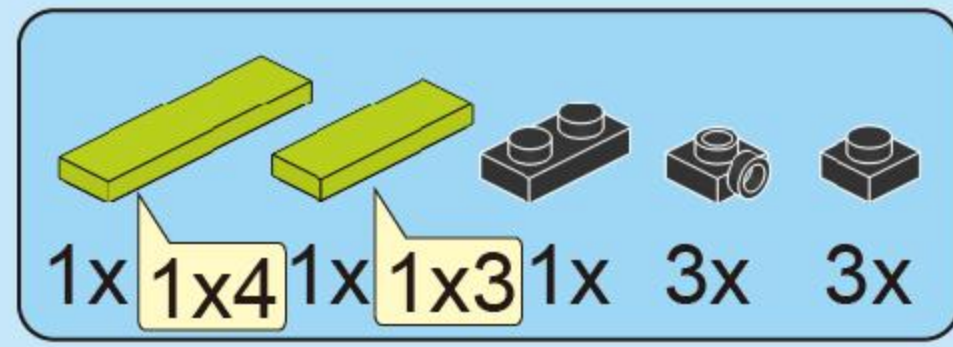
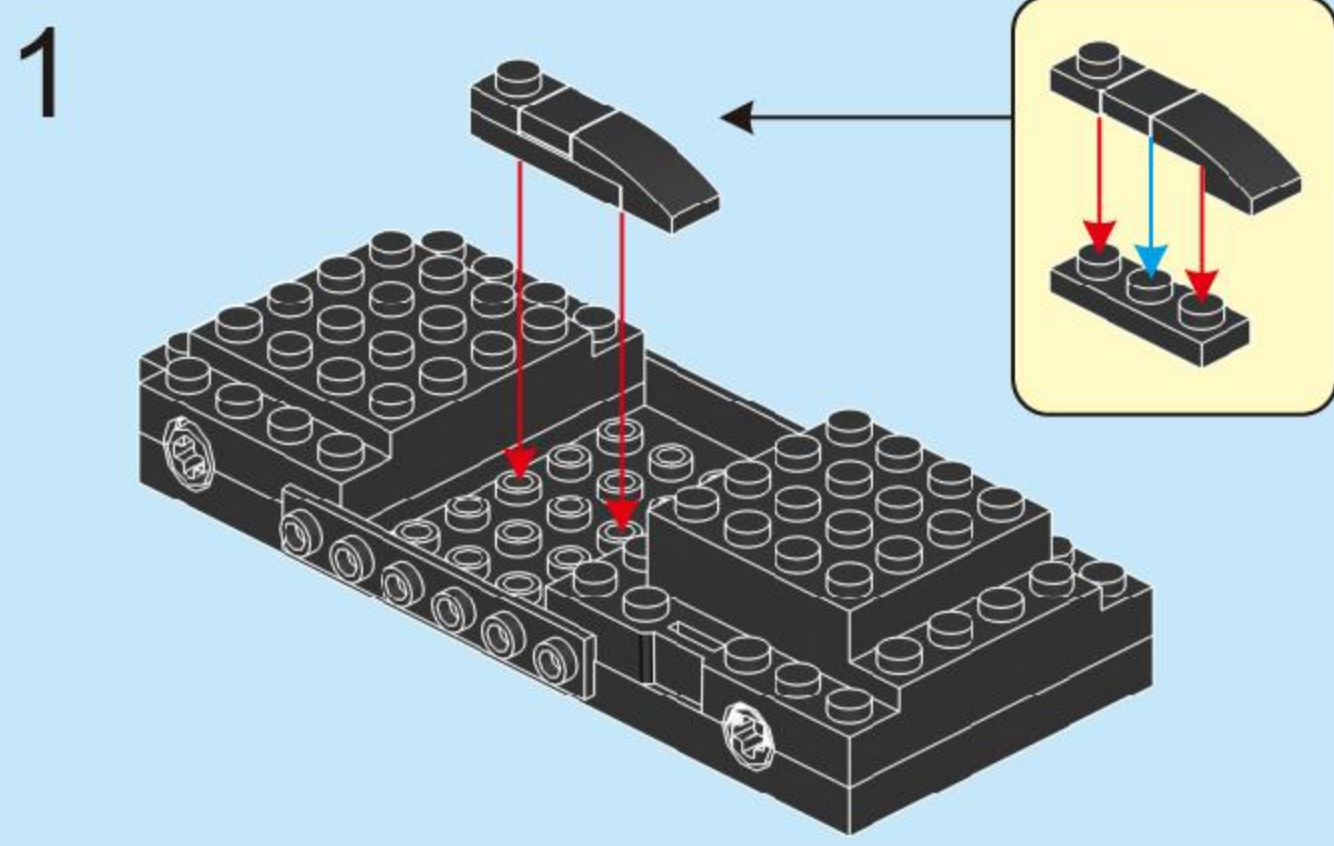
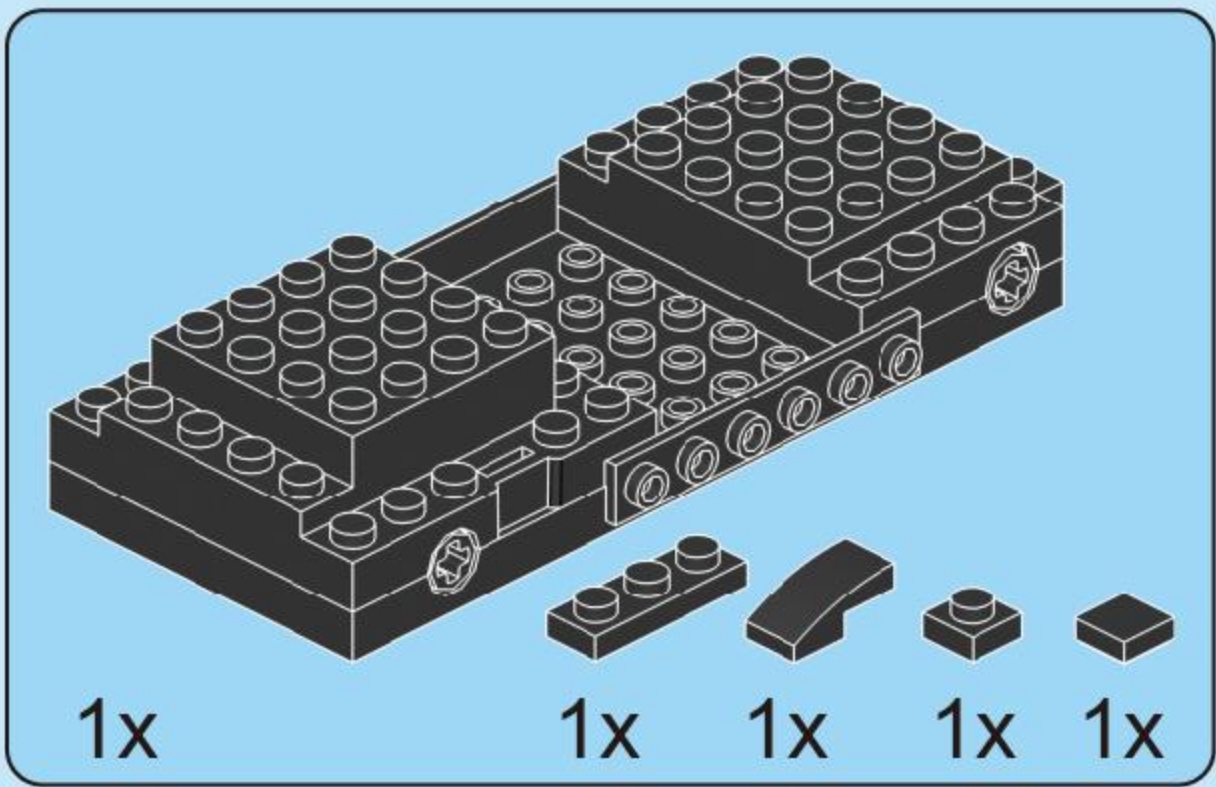
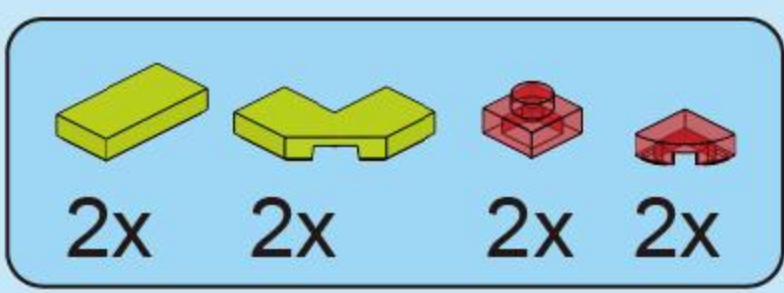


此步骤为试验车底盘是否能正常使用回力 灯光 音乐效果

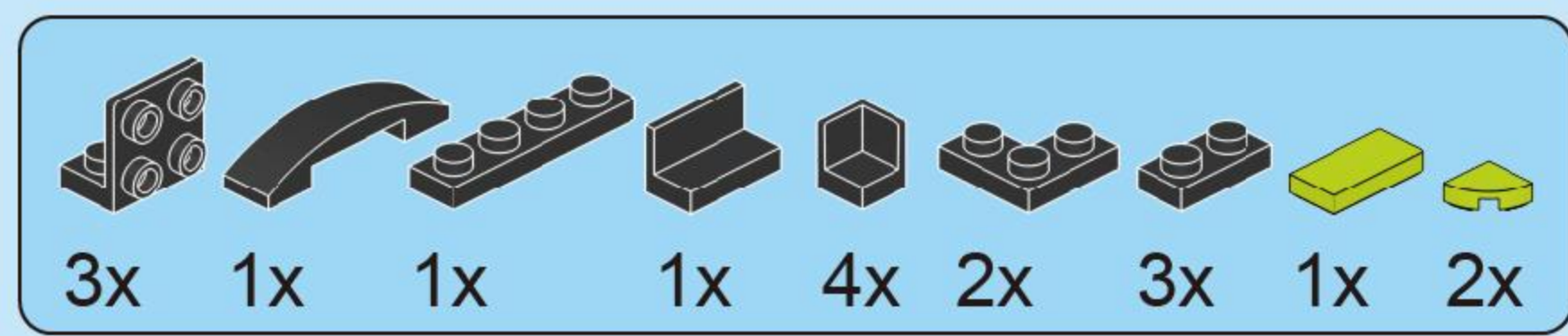
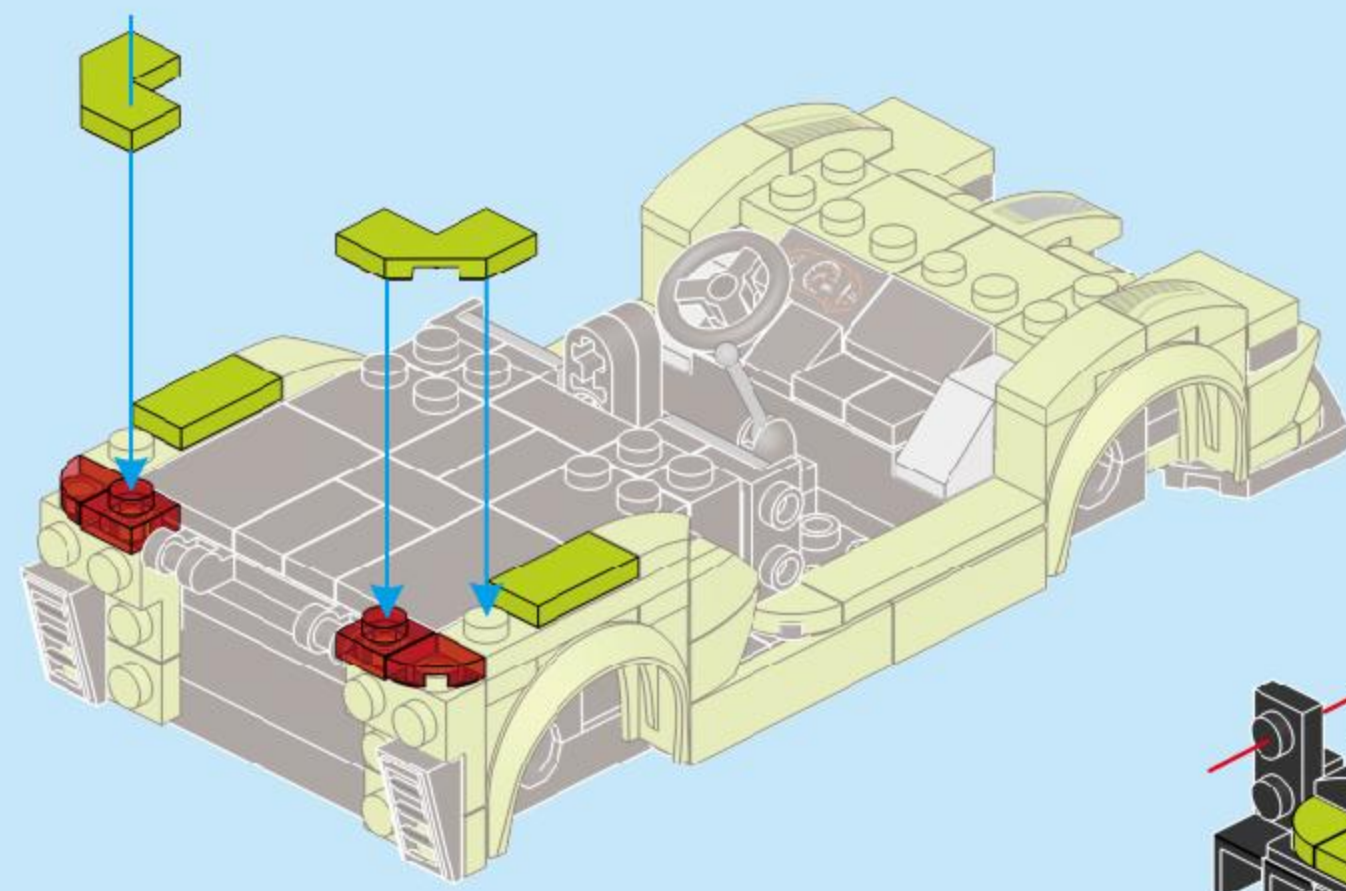
This step is to check the function of pull back, light & music of car's chassis could be work successfully or not.



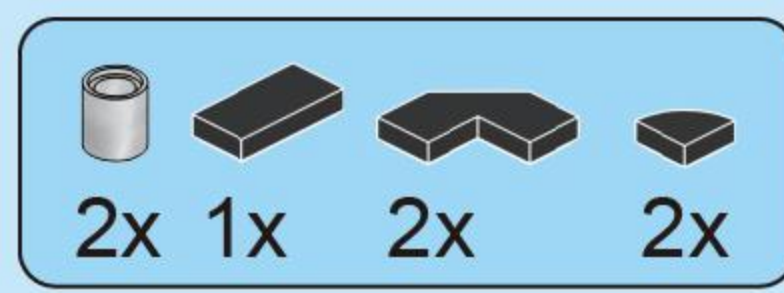
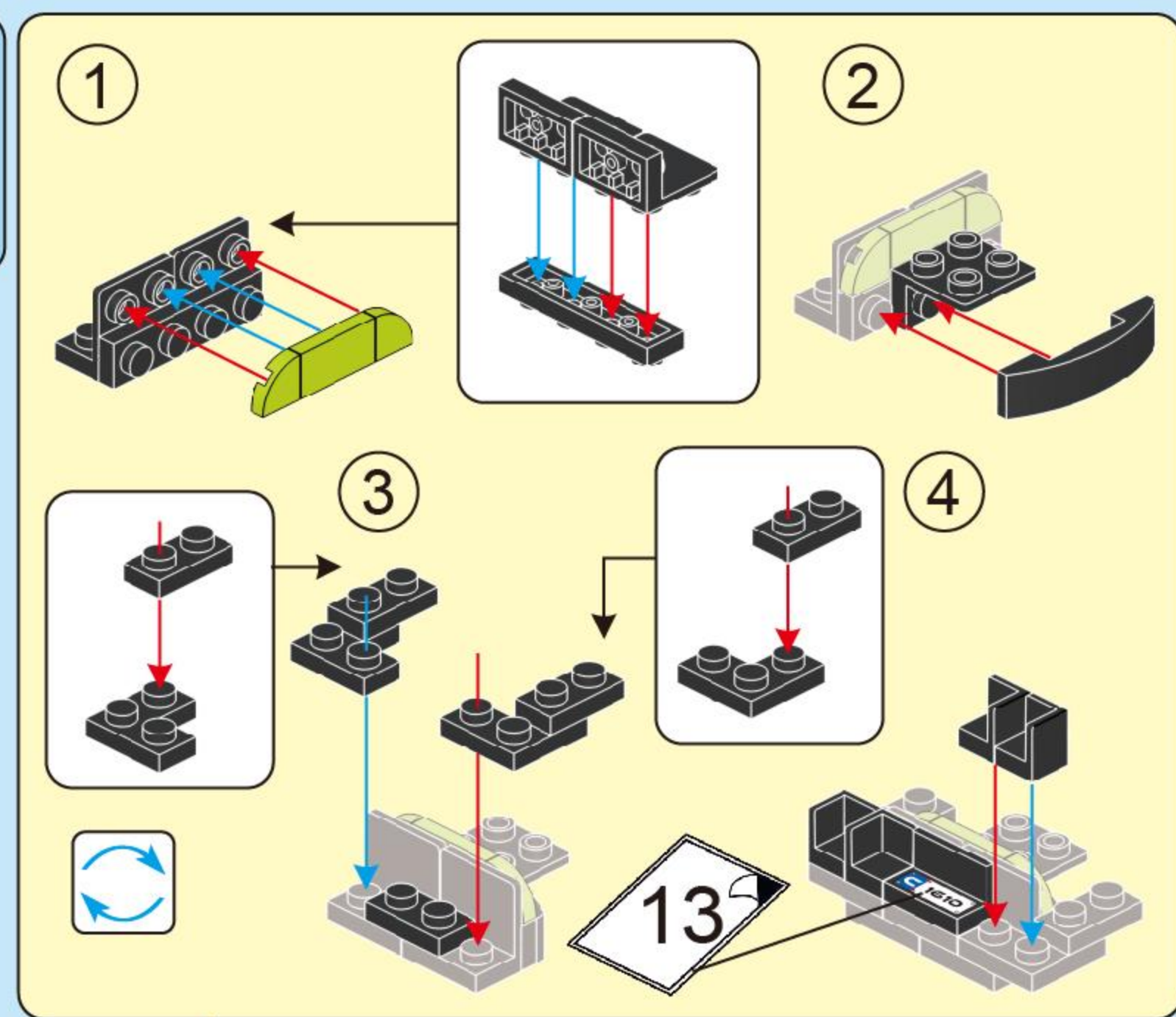
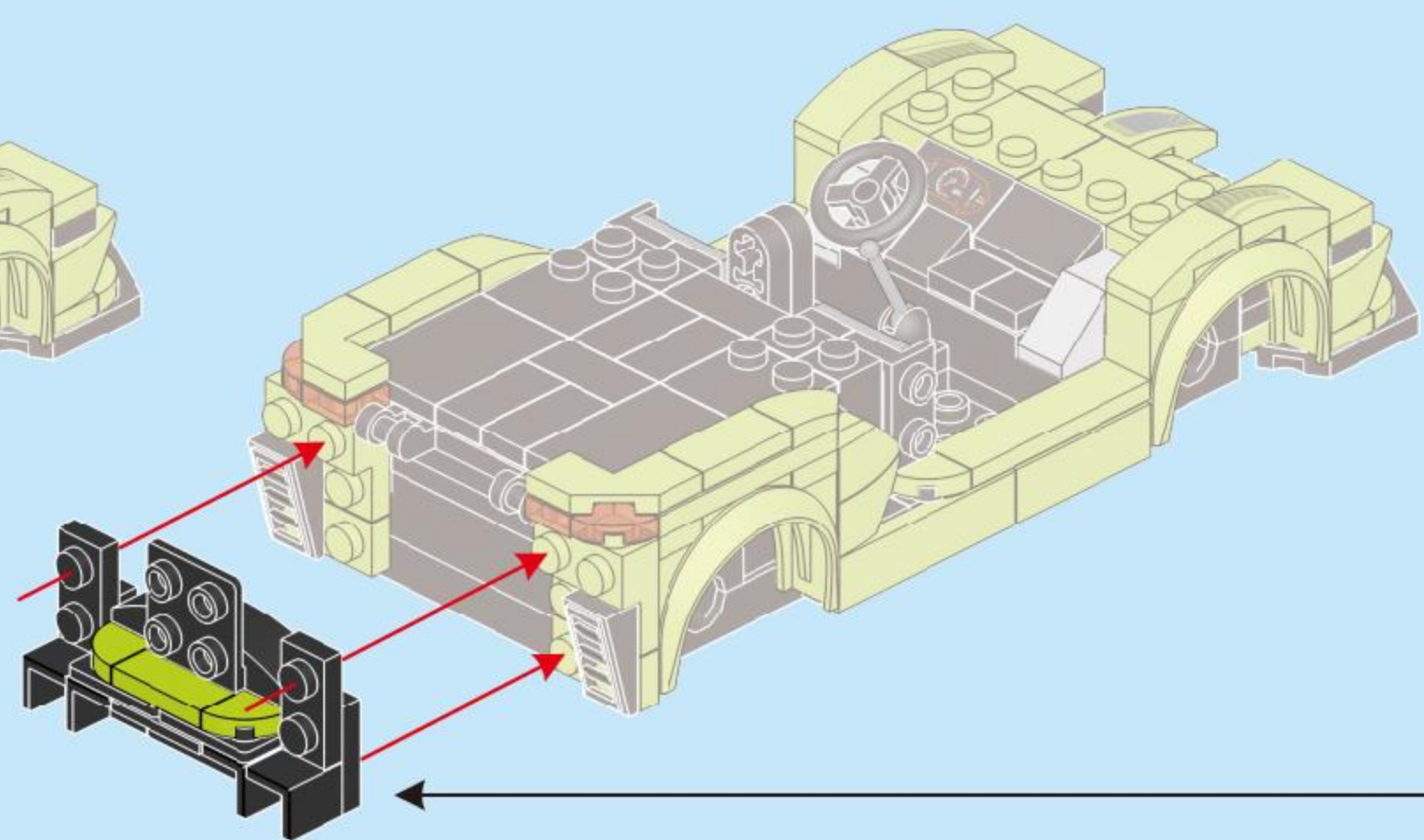




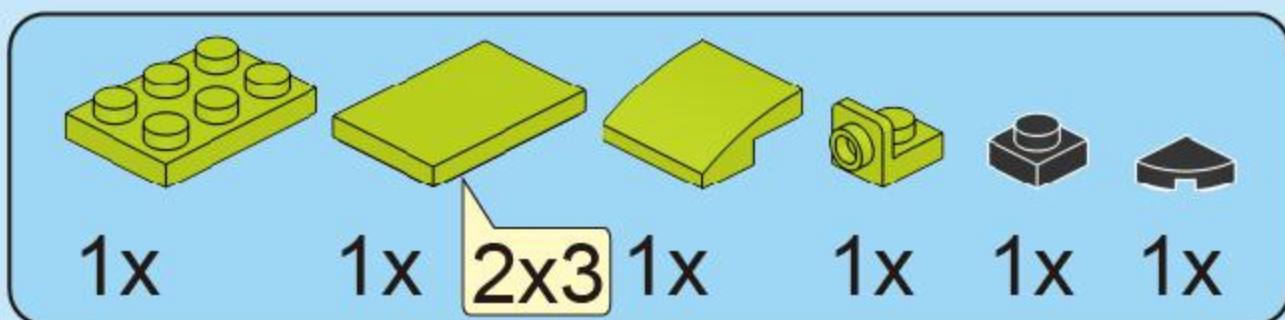
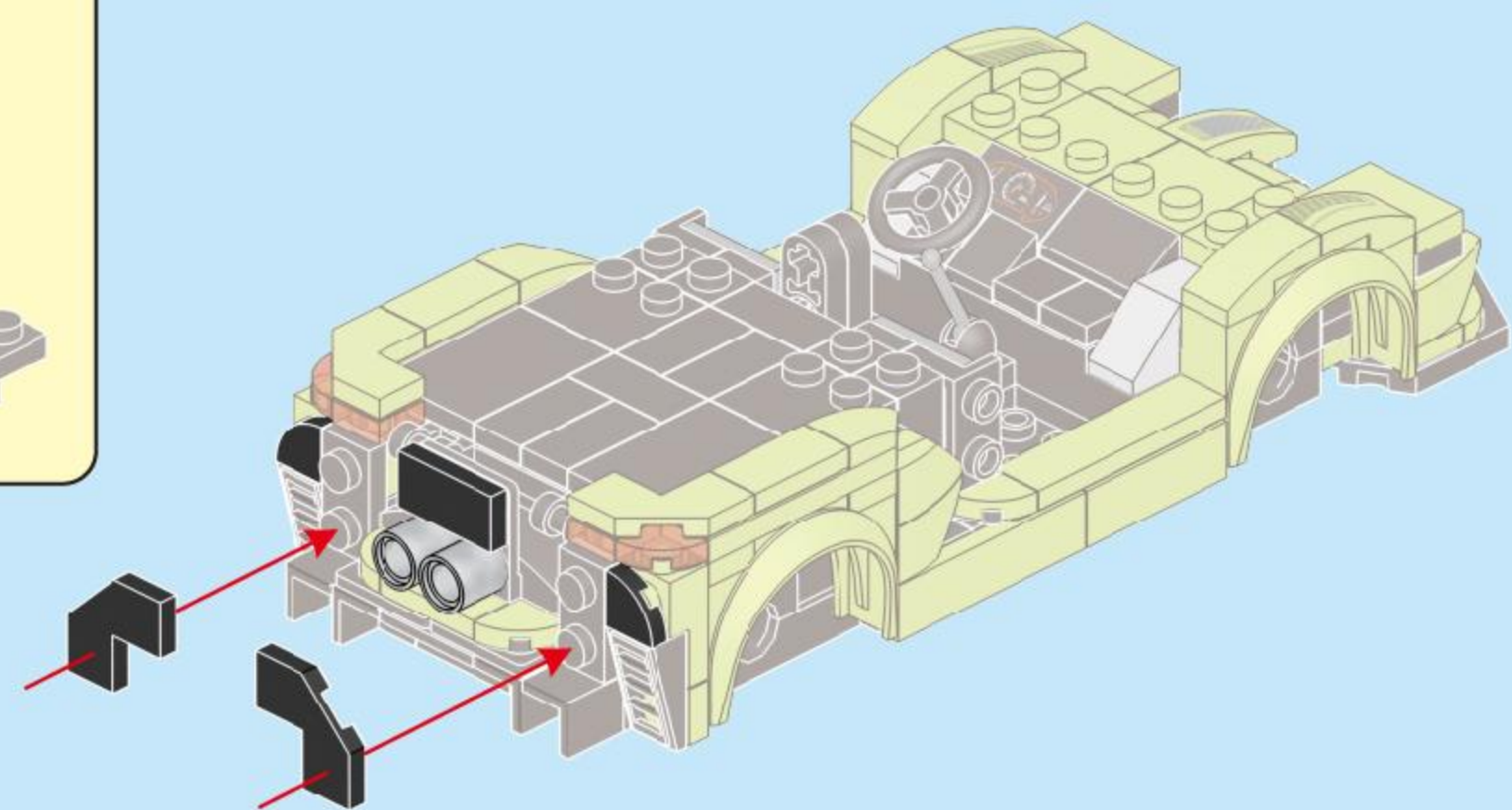
21



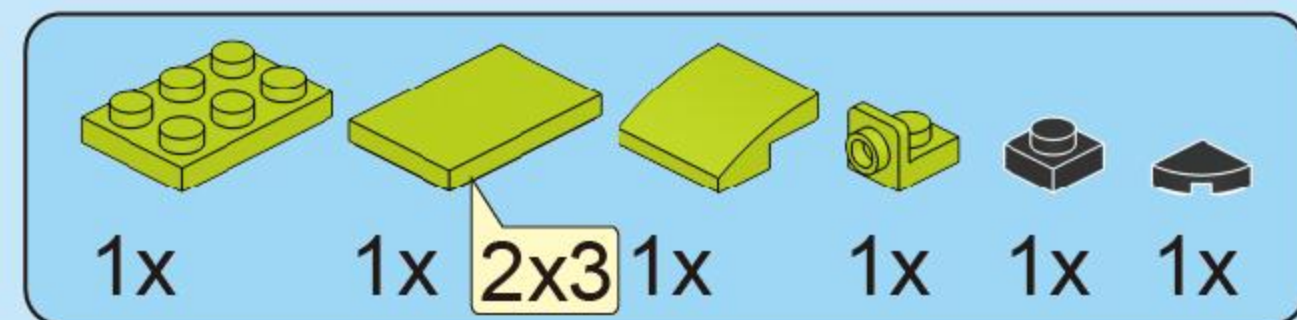
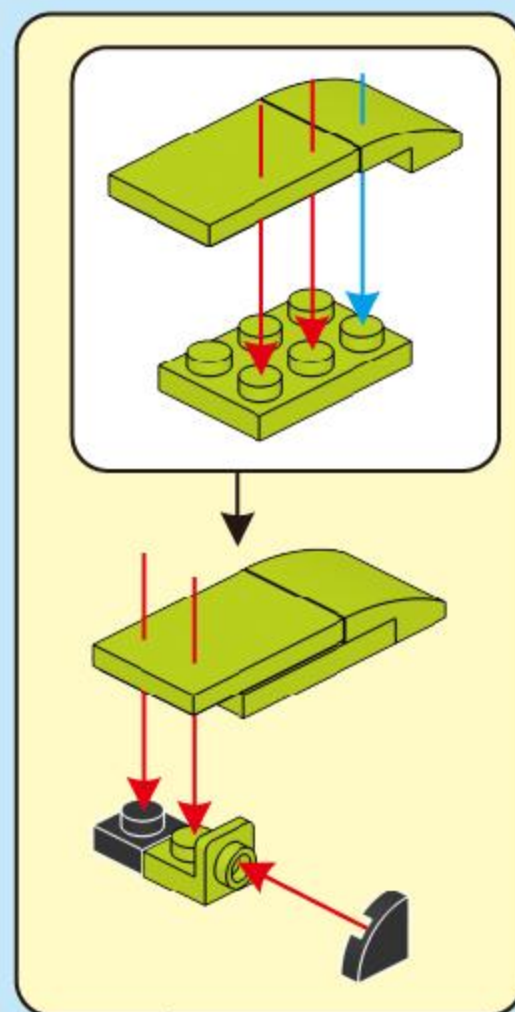
22



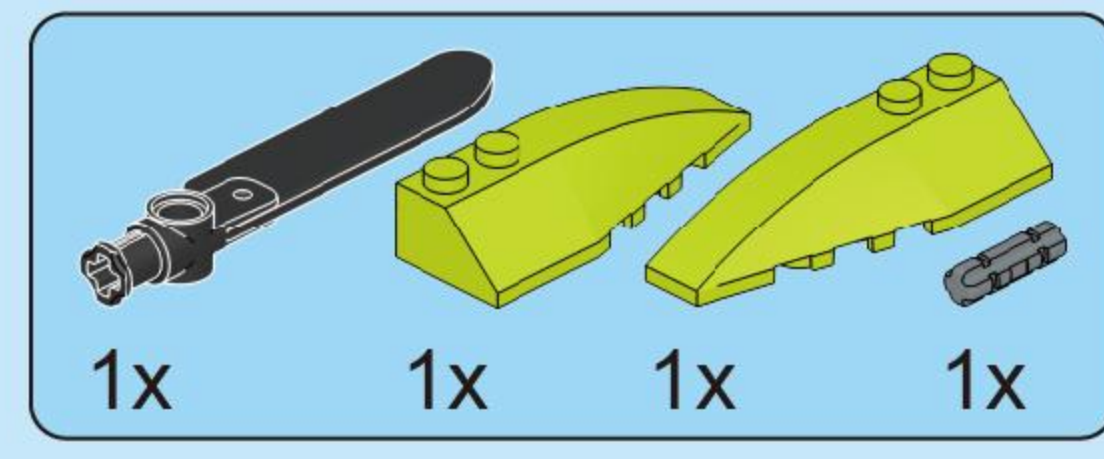
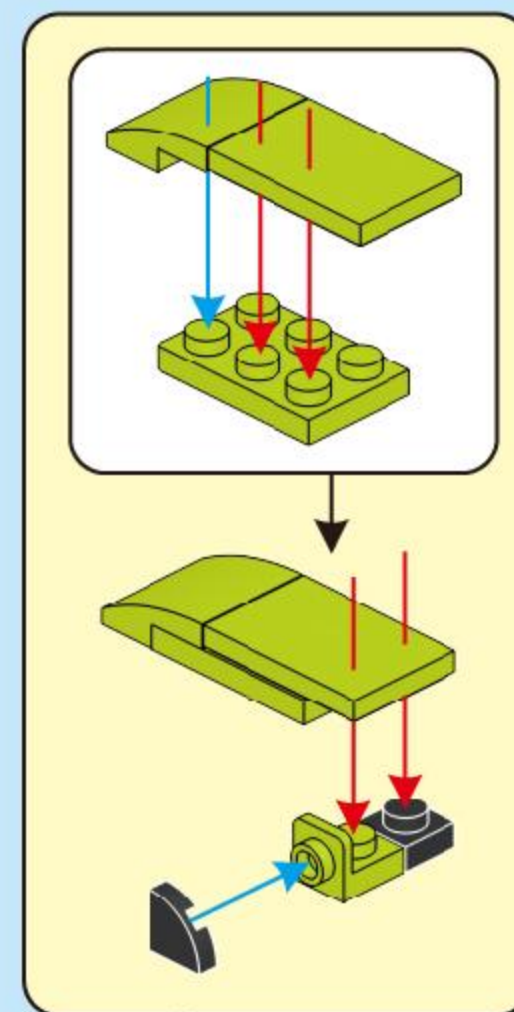
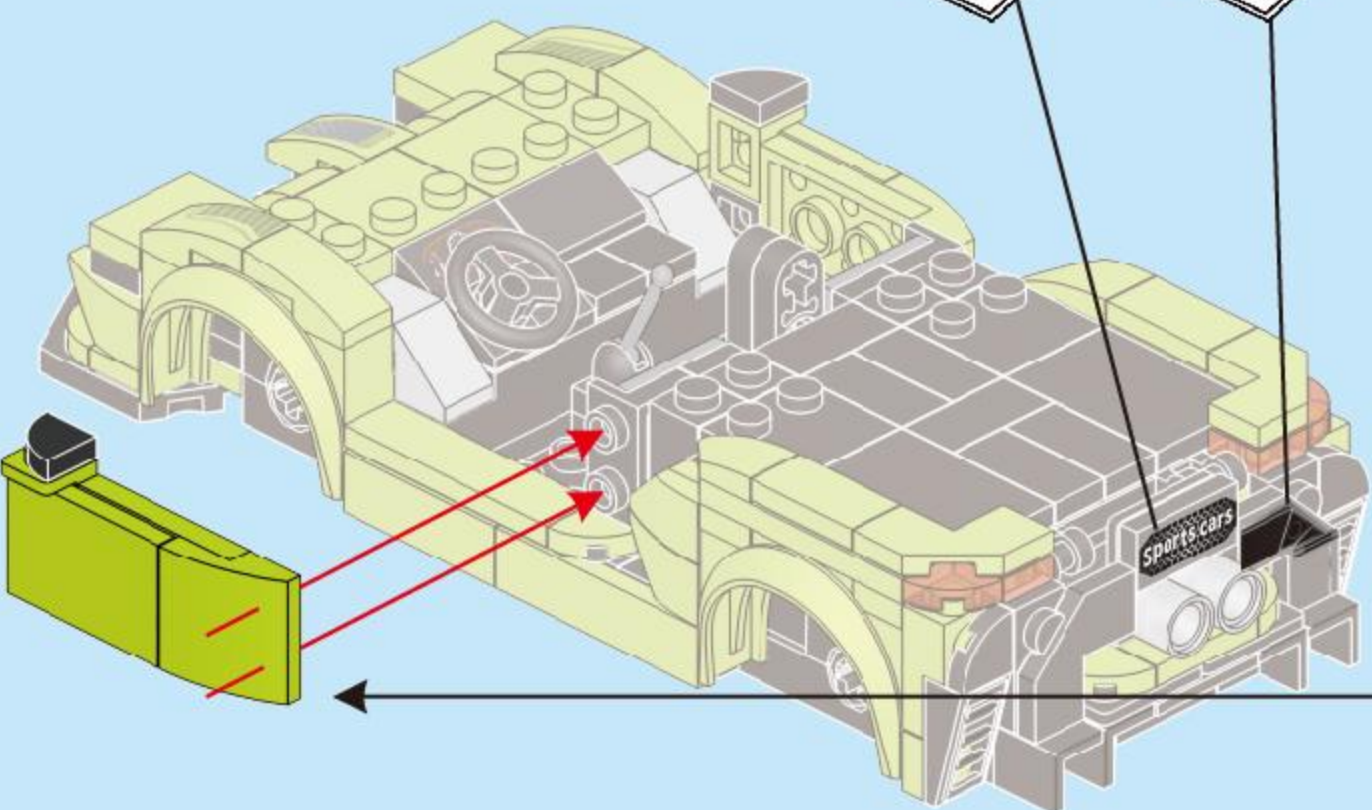
23



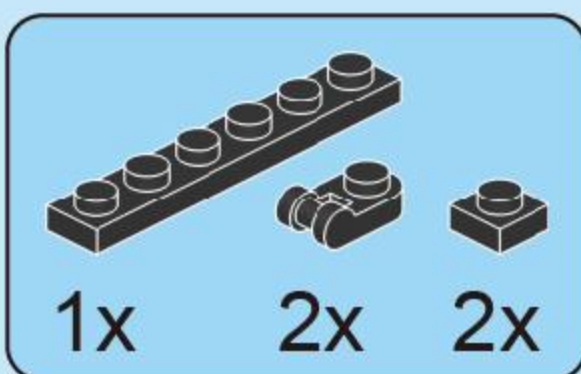
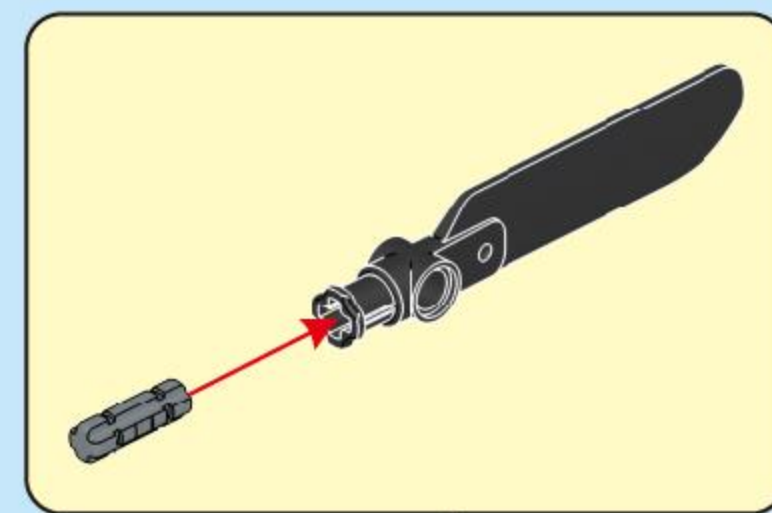
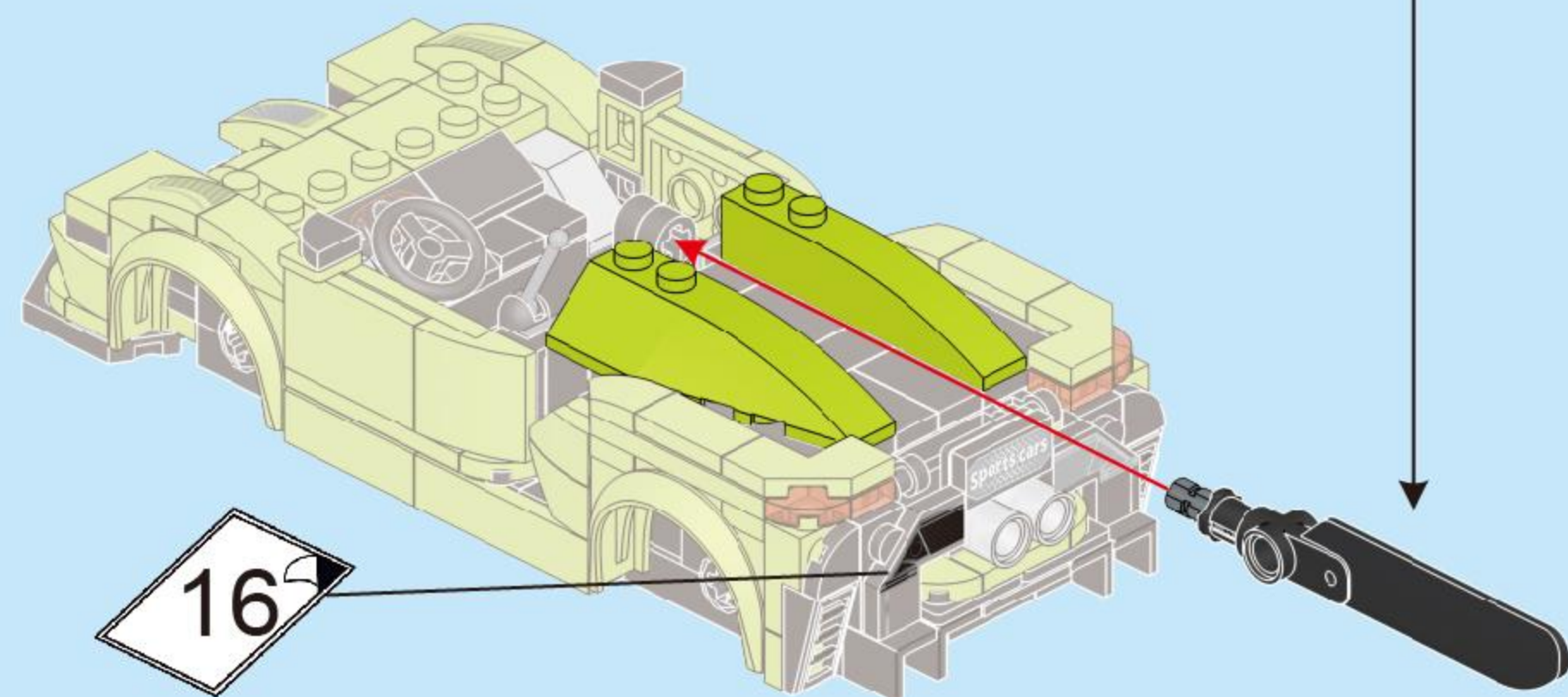
24



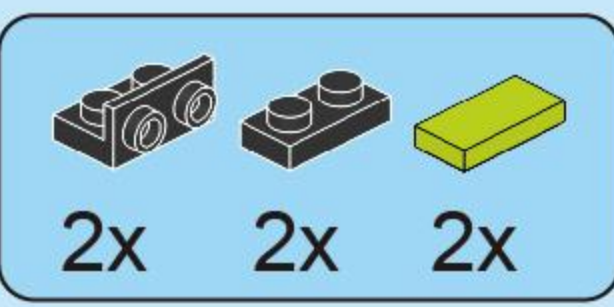
25



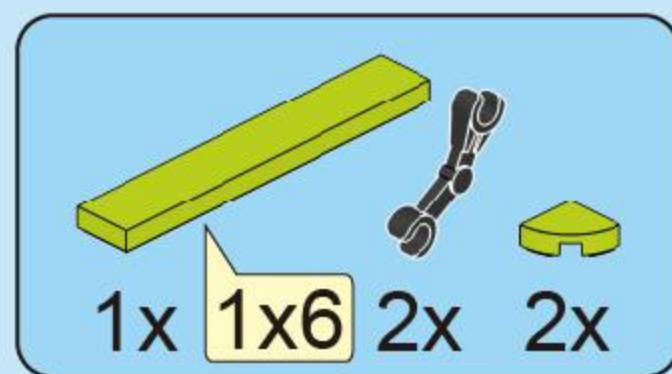
26



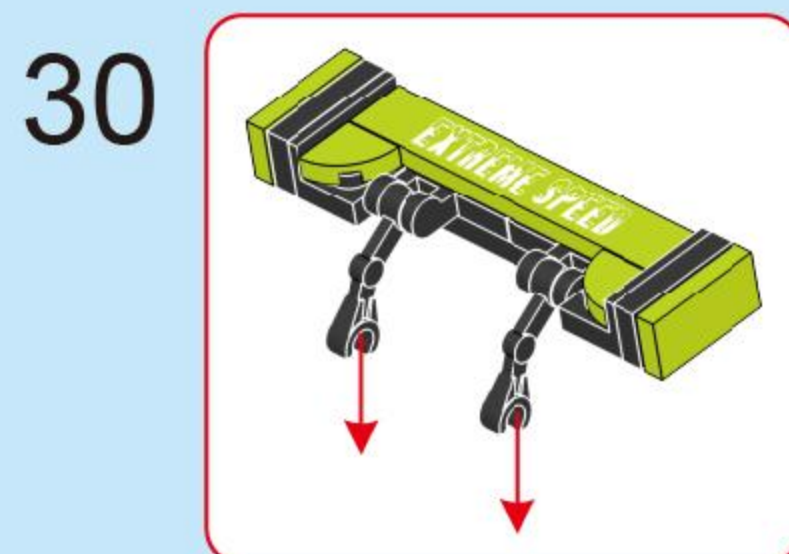
27



28



29

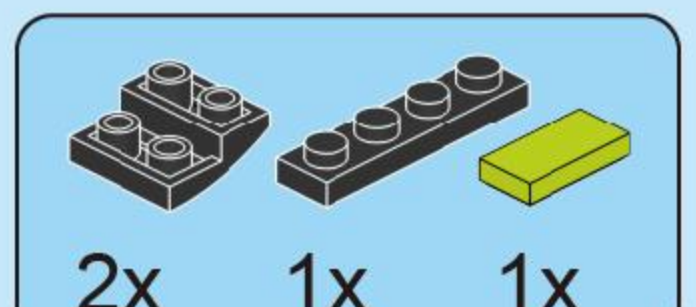


30

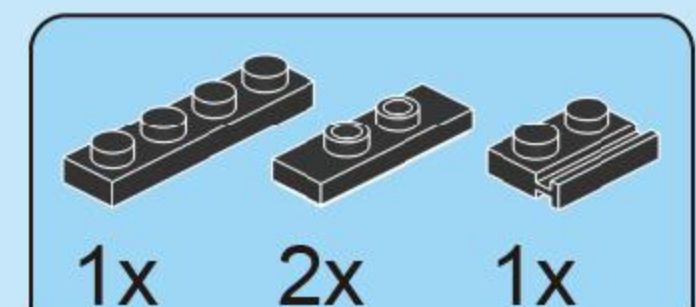


26

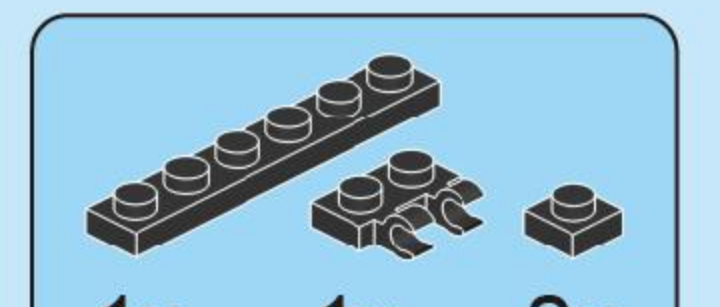
29



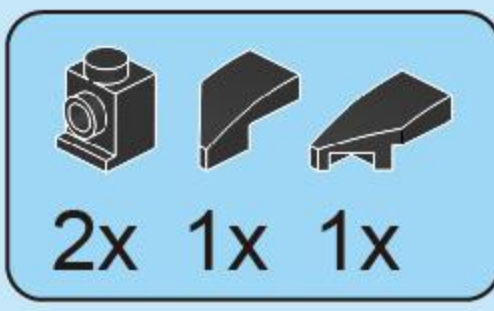
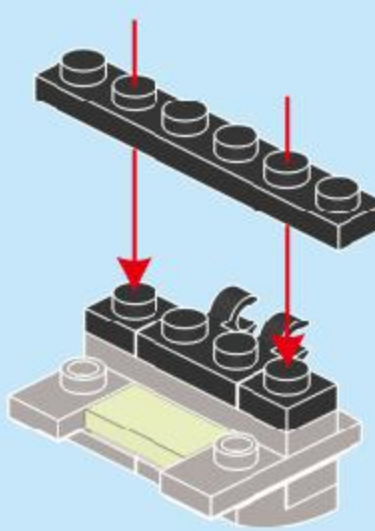
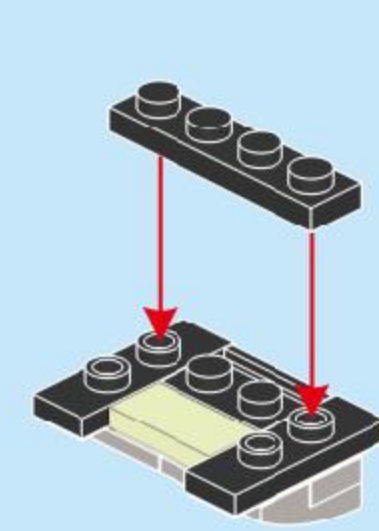
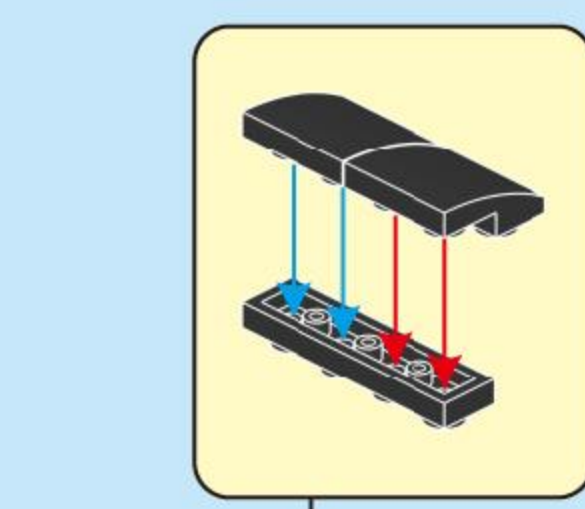
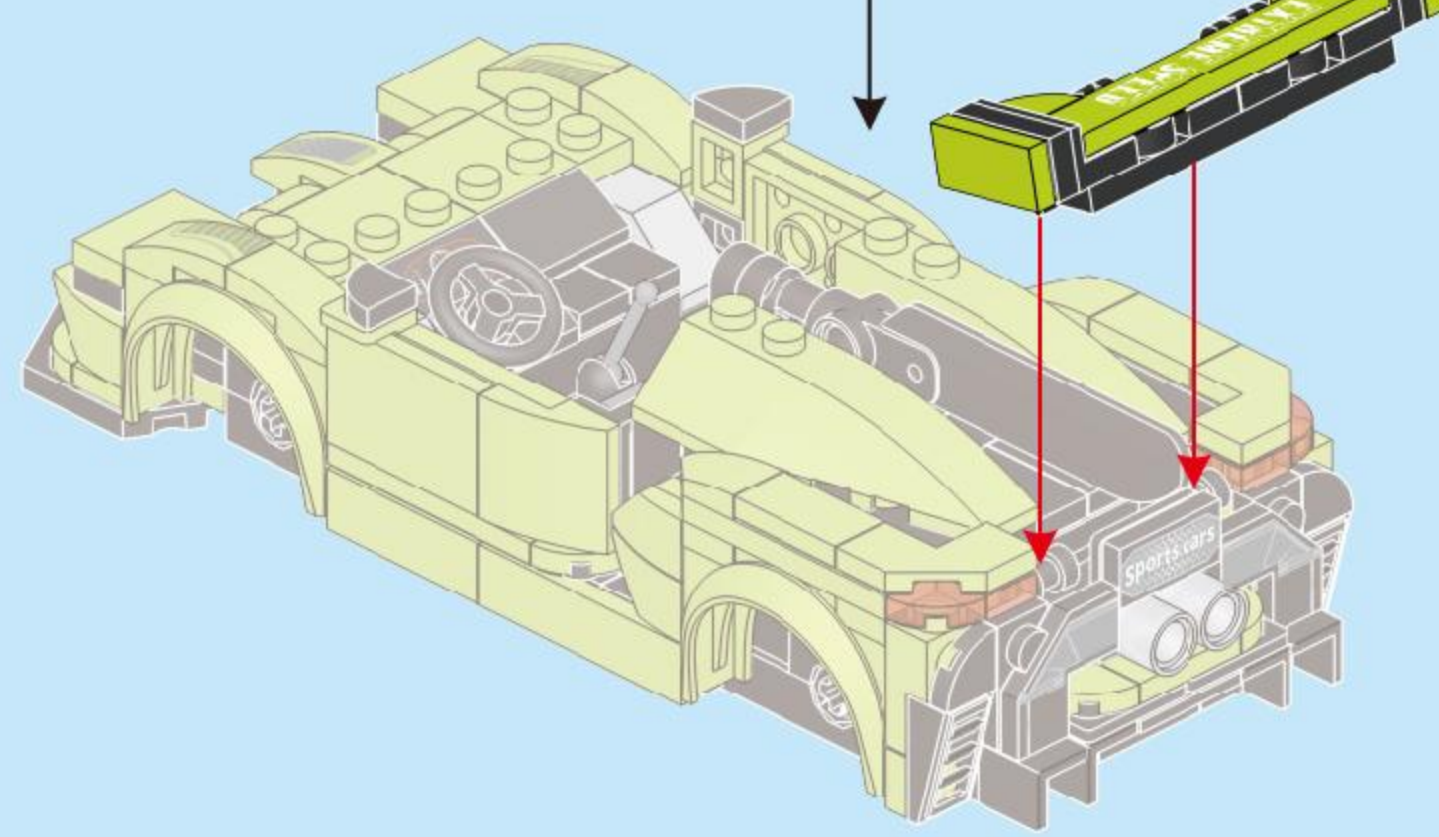
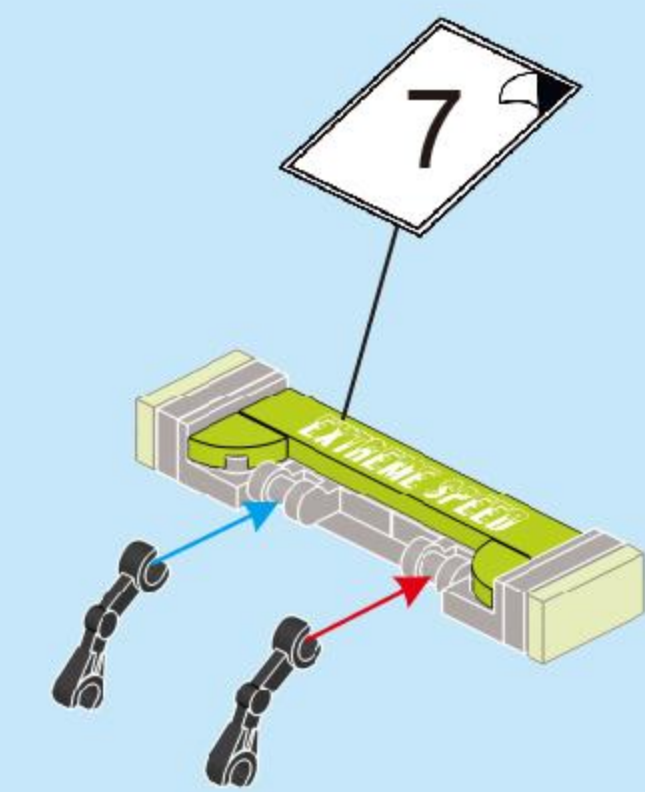
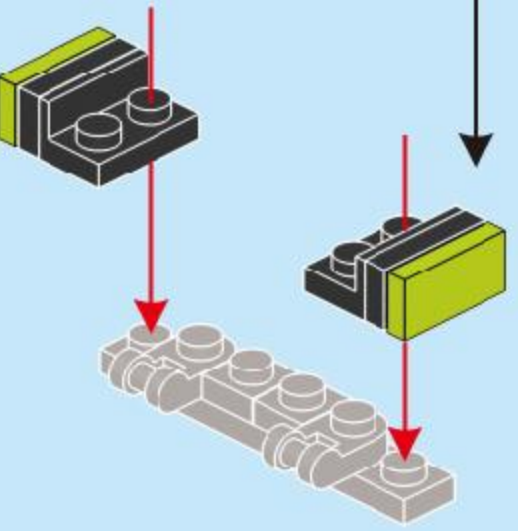
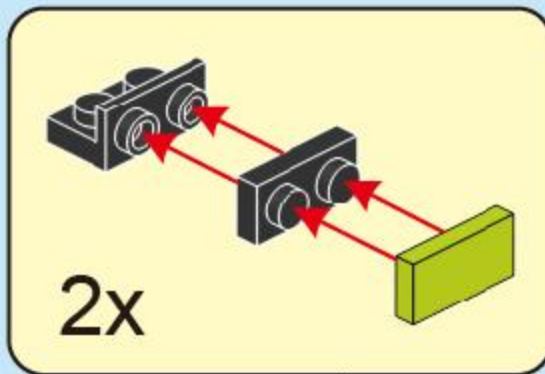
31



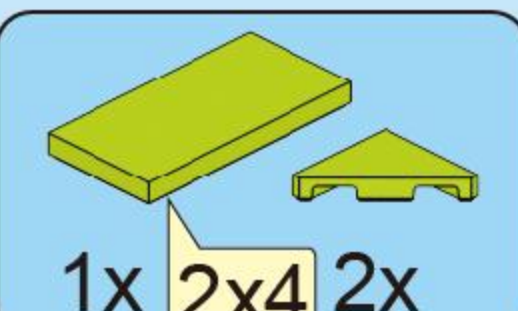
32



33

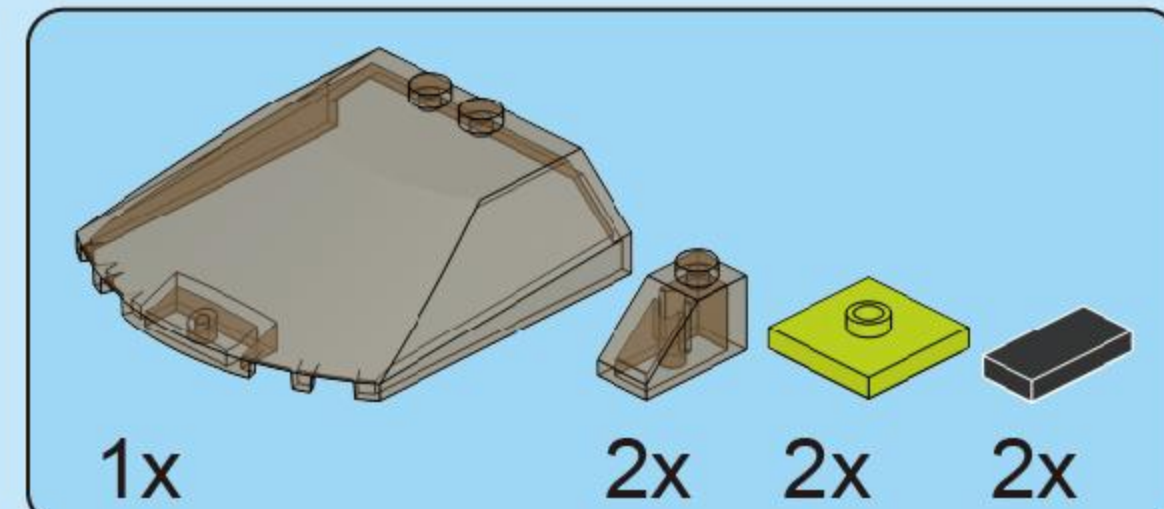
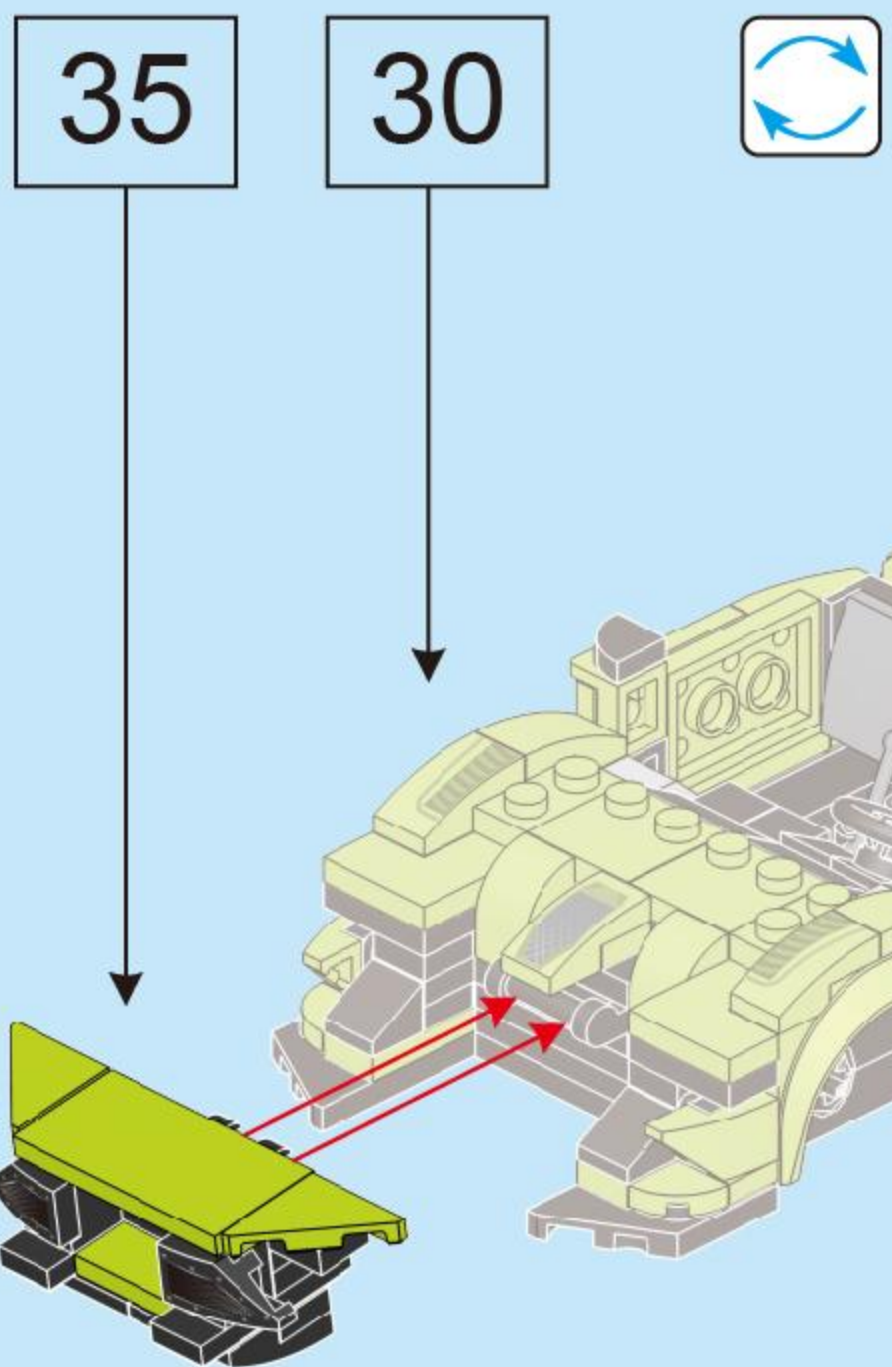
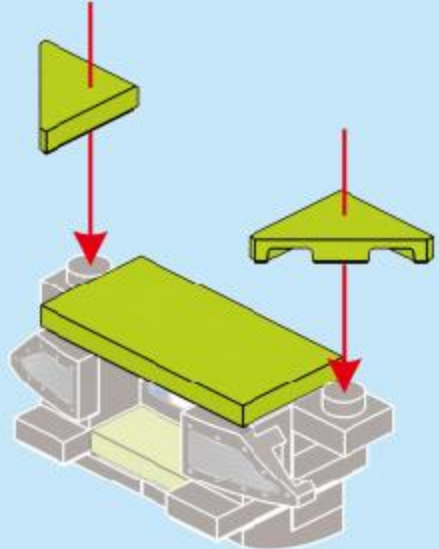
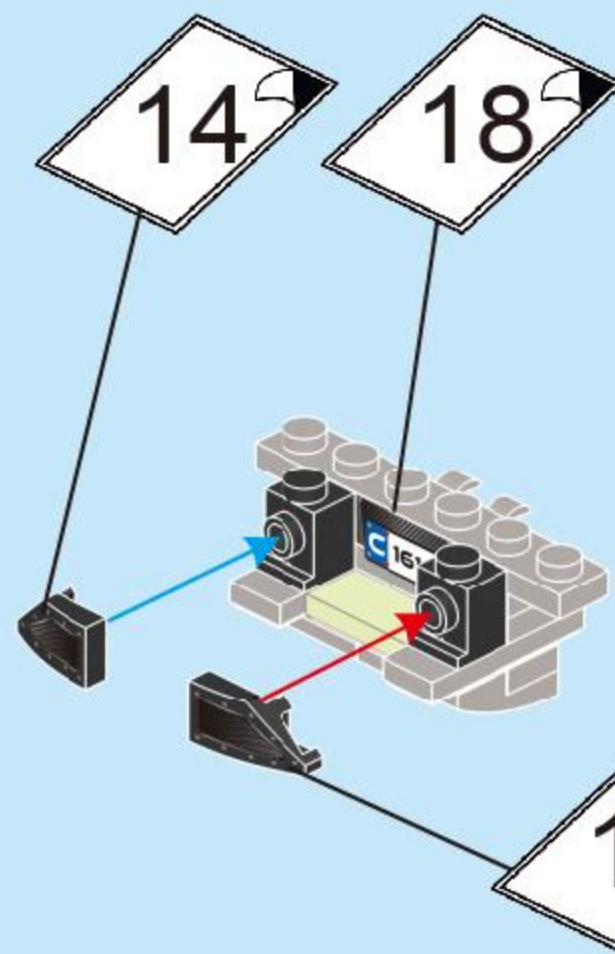


34

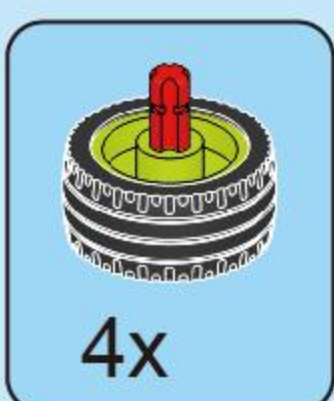
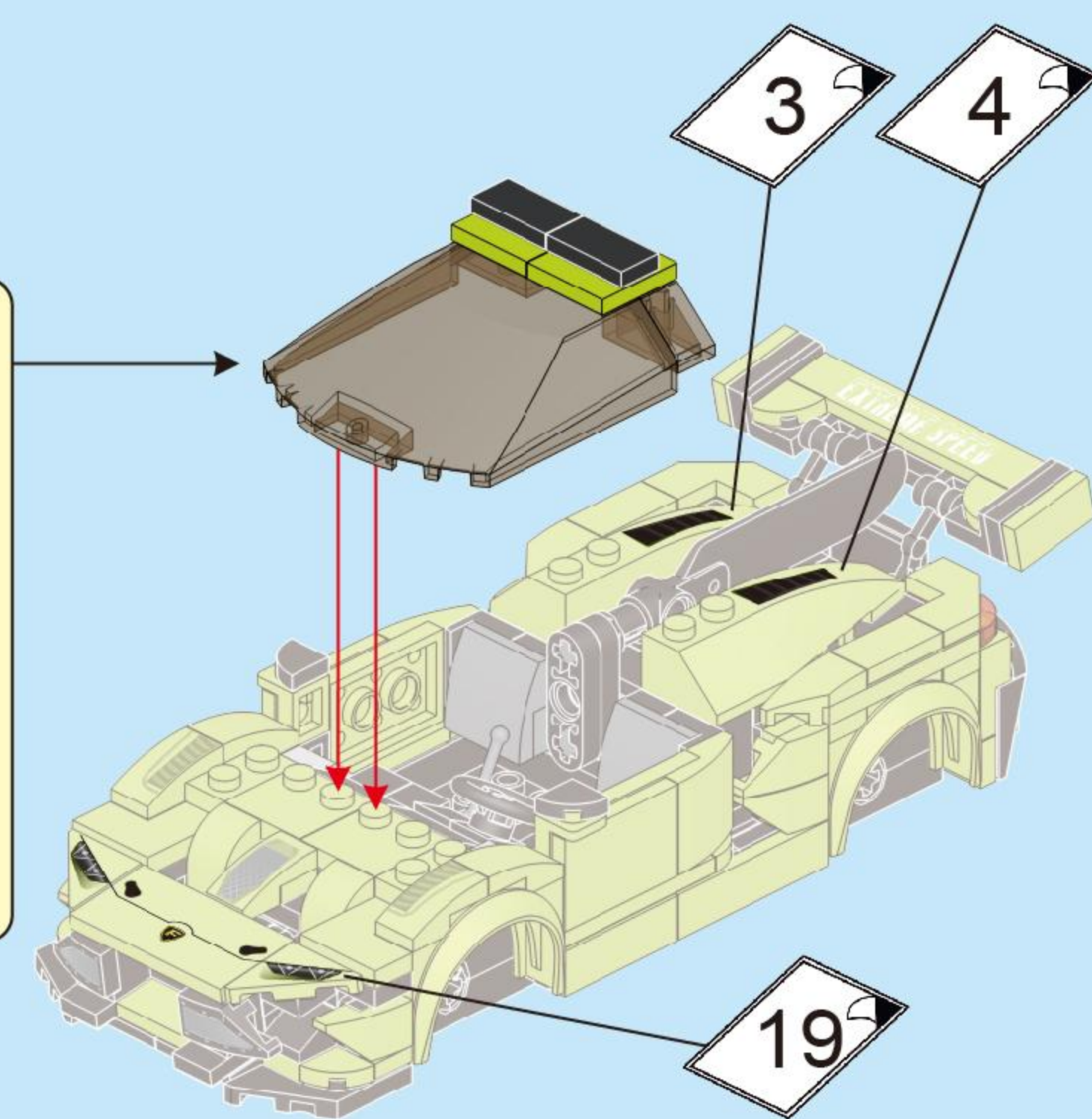
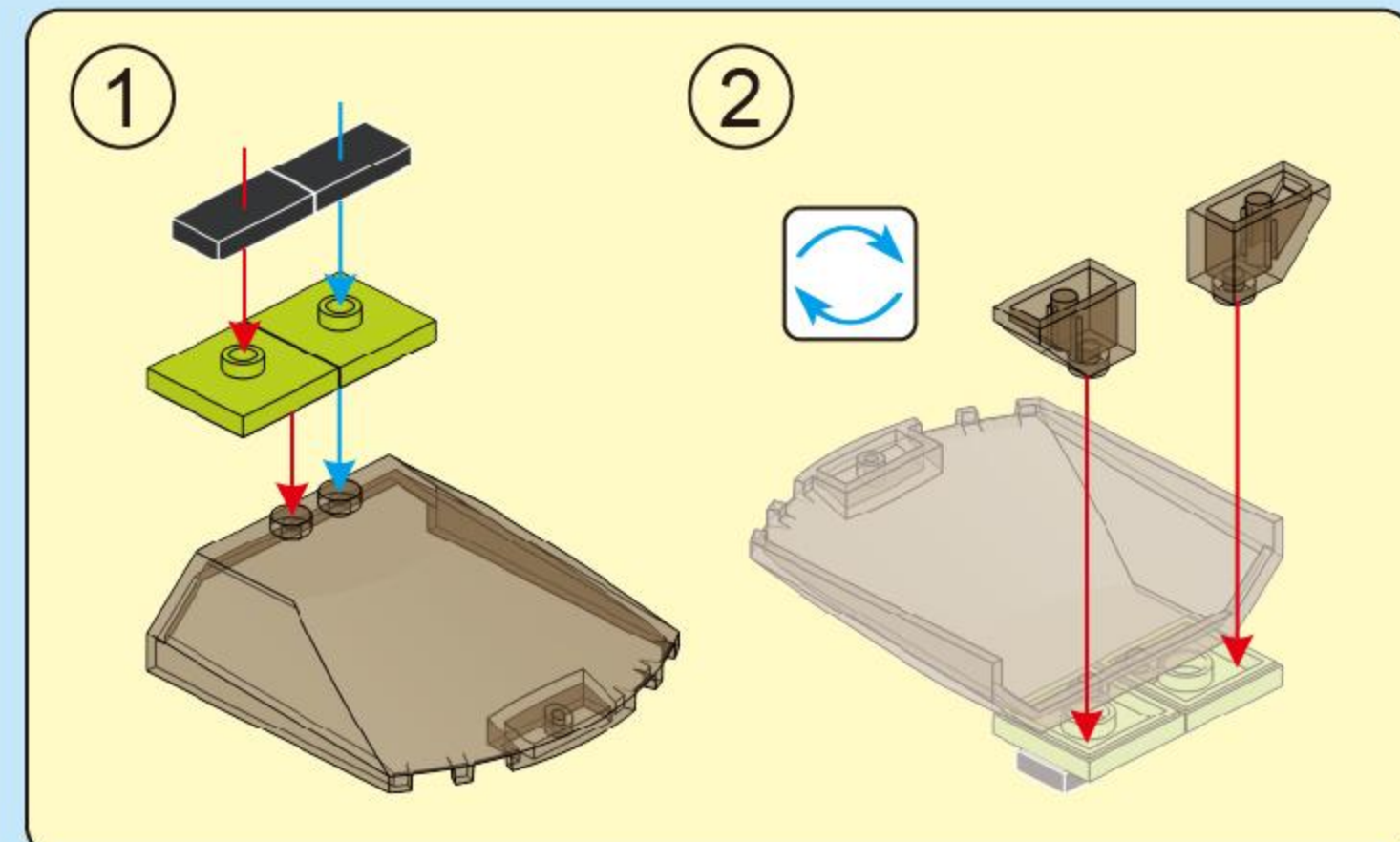


35

36



37



38

